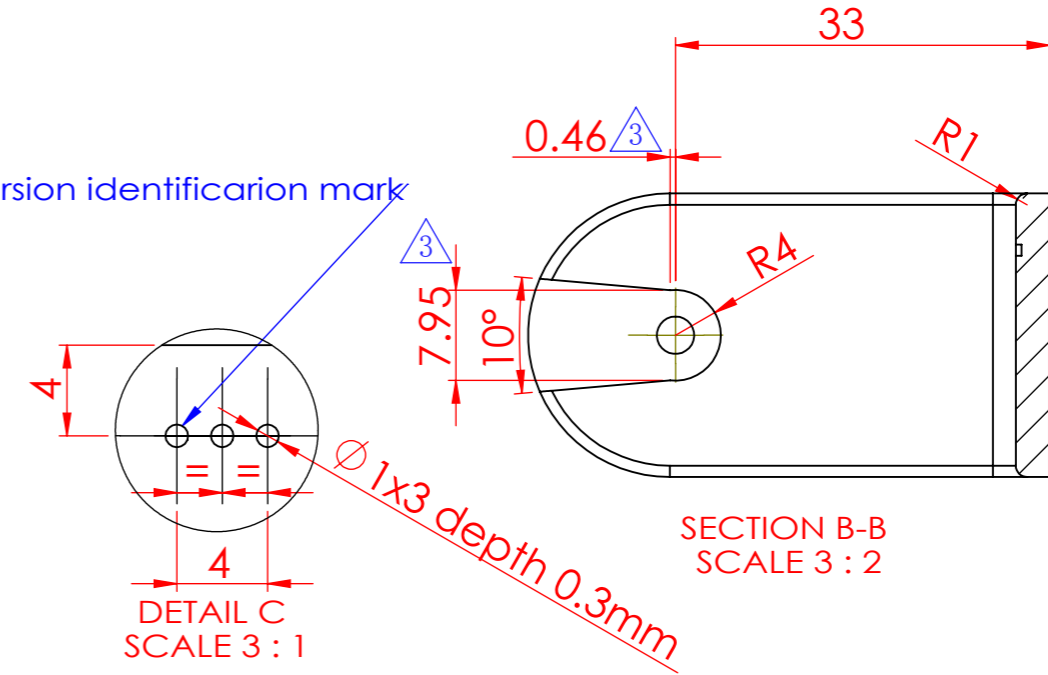


Version identification mark



DETAIL C  
SCALE 3 : 1

SECTION B-B  
SCALE 3 : 2

NOTE 1: Material is Aluminum painted black color

THIS DRAWING IS THE PROPERTY OF BEA AND MAY NOT BE REPRODUCED WITHOUT WRITTEN AGREEMENT

MODIFICATIONS LIST					
DATE:	BY:	DESCRIPTION:	REL:	VER:	
14/06/2007	WGY	enlarge the diameter of cable hole to $\Phi 17$ mm	-	2	
21/02/2008	WGY	BOSSES MODIFICATION FOR SONIC-LOK SL-B M3-4.0 + ADDITION OF AXIS DIAM.3 on the housing(P/N:41.7181)	-	3	
-	-	-	-	-	
-	-	-	-	-	
-	-	-	-	-	



PROD. NAME : 1 SAFE		SC : 1:1	DRAWER : WGY	
TITLE : Aluminum bracket		SIZE : A3	DATE : 30/05/2007	
GENERAL TOLERANCE : $\pm 0.1$ mm			VERIFIED	APPROVED
MATERIAL:-		TREATEMENT:-		
C.A.O. FILE : N:\RetD\Public\Projects\CE017 Smart FOCUS bracket for Dorma & KBB\Mechanical\Drawings\Final version\2D\66.0035				
DOC.: PM	OBJET : 66.0035	VER.: 03	PAGE: 1 / 1	