

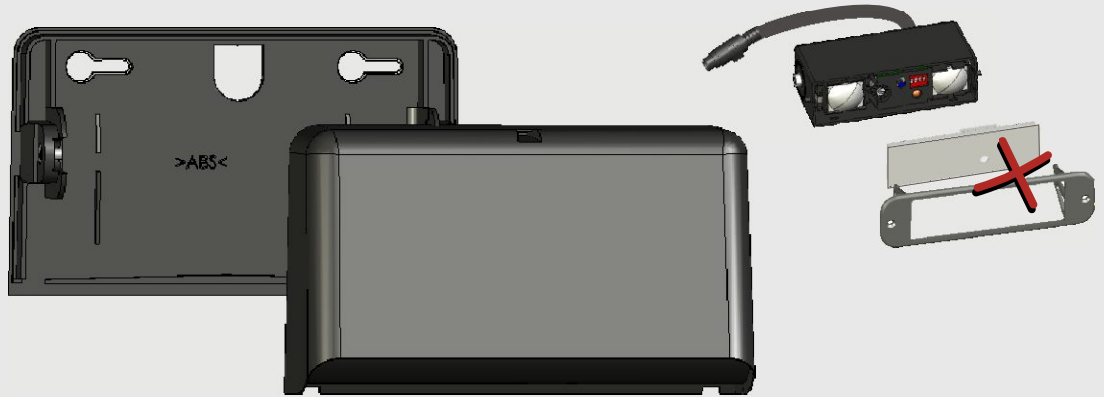


DESCRIPTION

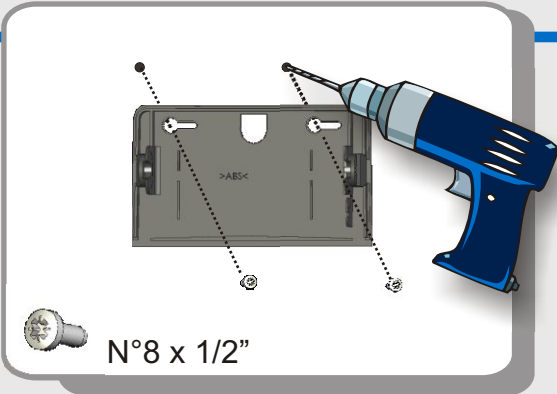
 x 2
N°8 x 1/2"

 x 2
M3 x 6

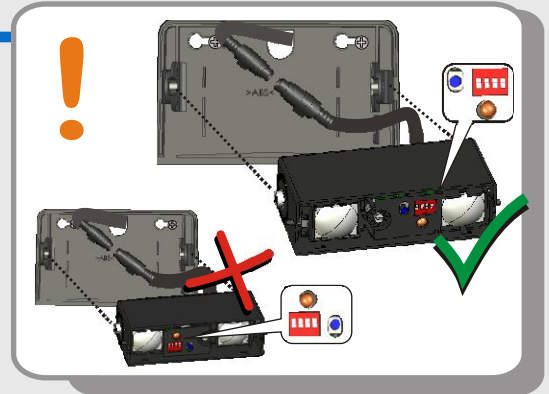


INSTALLATION

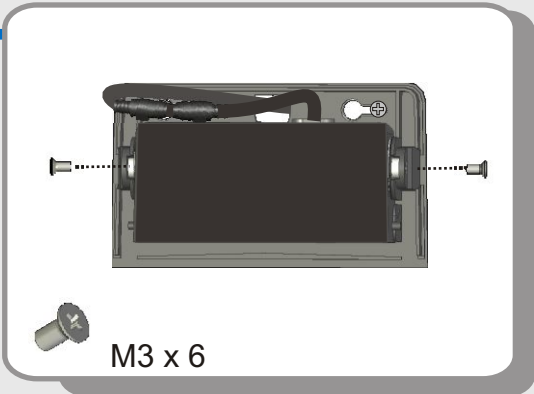
1



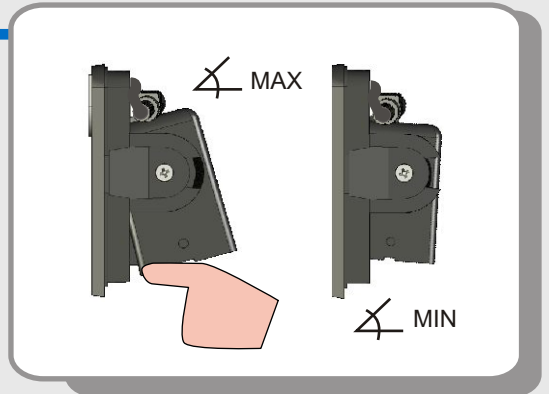
2



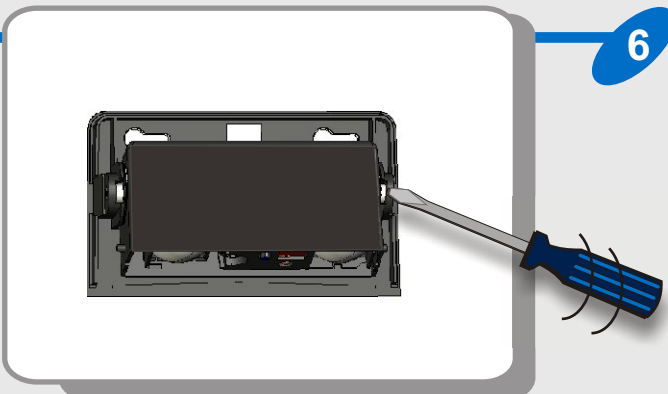
3



4



5



6

