

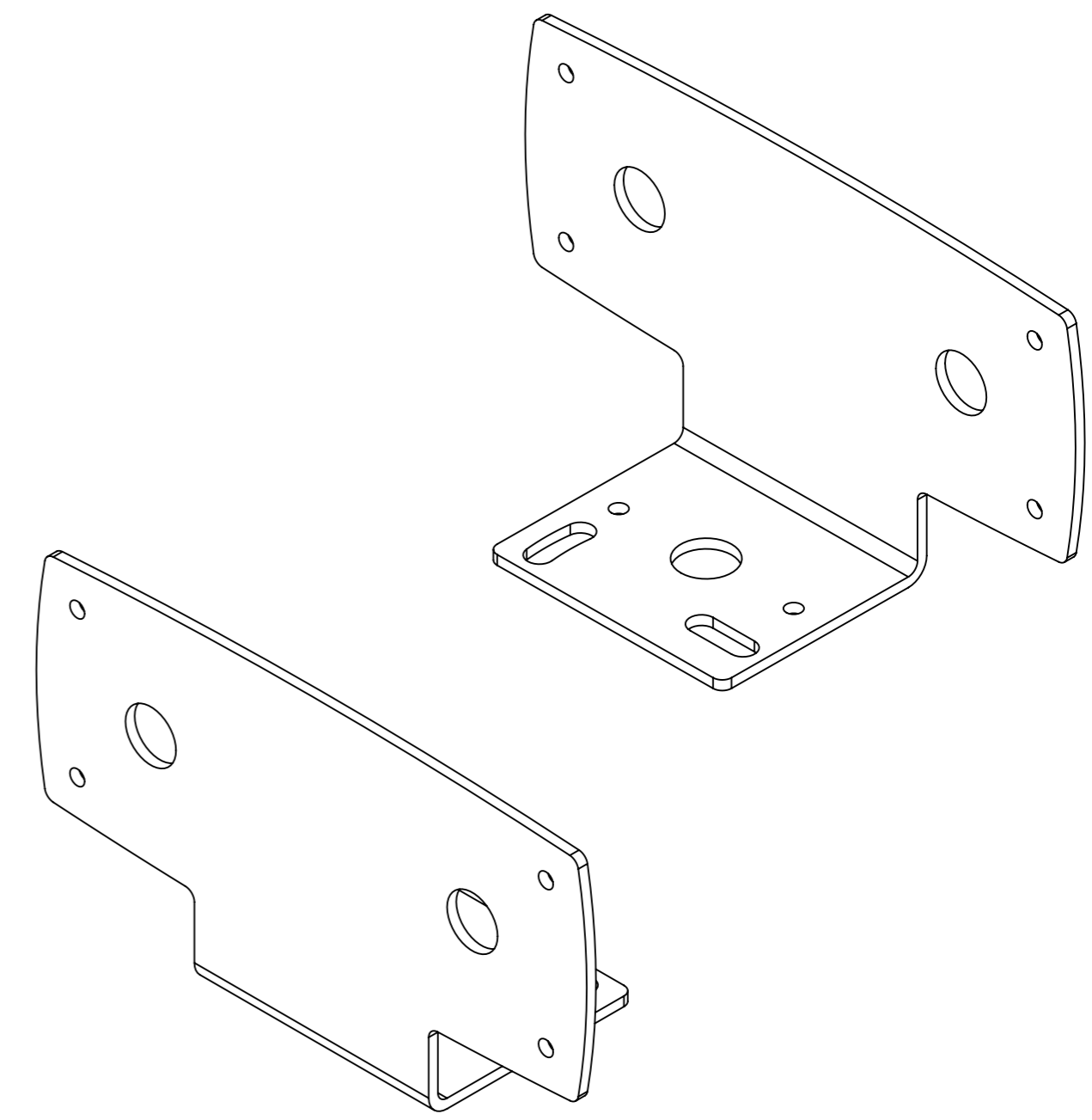
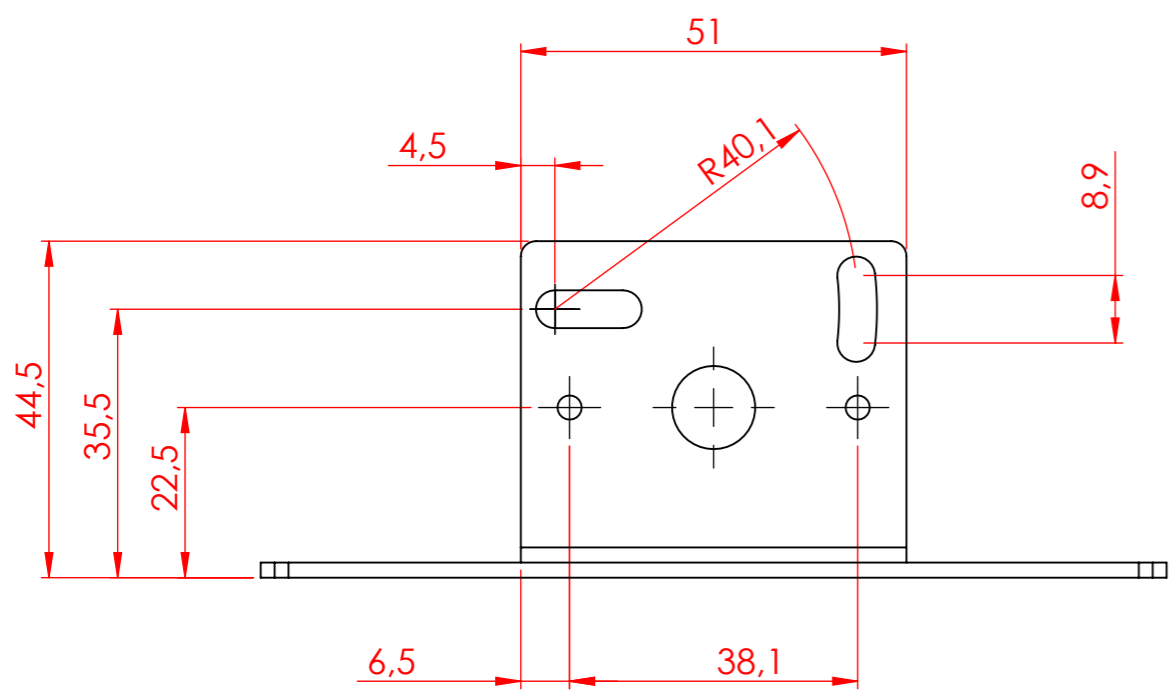
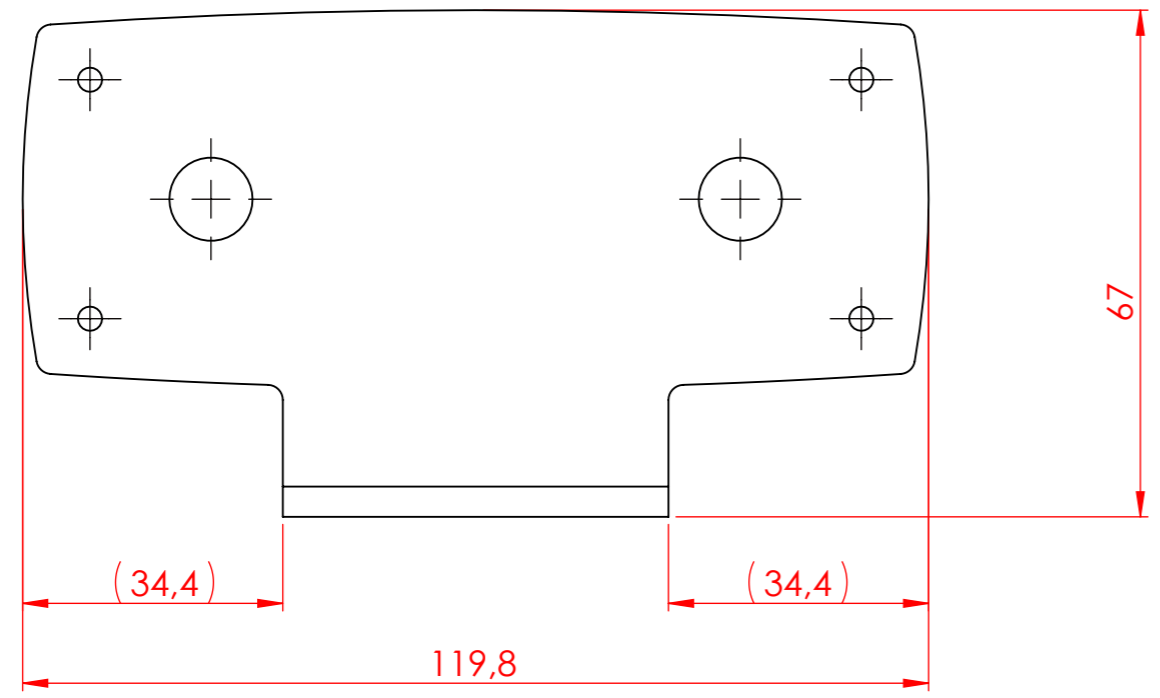
8 7 6 5 4 3 2 1

D

C

B

A



D

C

B

A

Part volume : 16530.45 mm³ - Part weight : 44.30 g

THIS DRAWING IS THE PROPERTY OF BEA AND MAY NOT BE REPRODUCED WITHOUT WRITTEN AGREEMENT

MODIFICATIONS LIST

| Date: | By: | Description: | Ver.: | Rev.: |
|------------|-----|-------------------------------|-------|-------|
| 14/10/2022 | PR | Availability of the version 2 | 00 | 02 |
| 13/09/2023 | PR | Document Released | 01 | 01 |



| | | | |
|---|----------------------------------|-------------------|----------|
| Project number : E486 - Eagle Artek Accessories | | Drawer : PR | |
| Description : E486-Eagle Artek BA External Dimensions | | Date : 25/03/2022 | |
| General tolerance : ISO 2760m | | Verified | Approved |
| Material : ALUMINIUM Thick. 2 mm | Treatment : Hard Anodizing black | | |
| Part number.Version.Type.Revision | Scale | Size | |
| 48.1575 . 01 . PM . 01 | 1:1 | A3 | |
| Page : 1/1 | | | |

8 7 6 5 4 3 2 1