

8

7

6

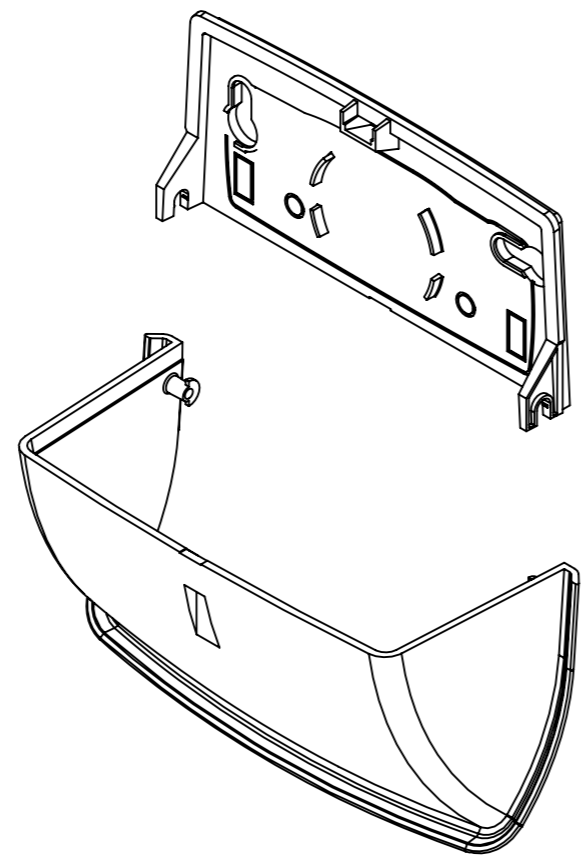
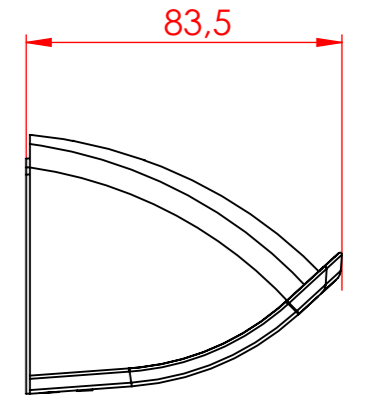
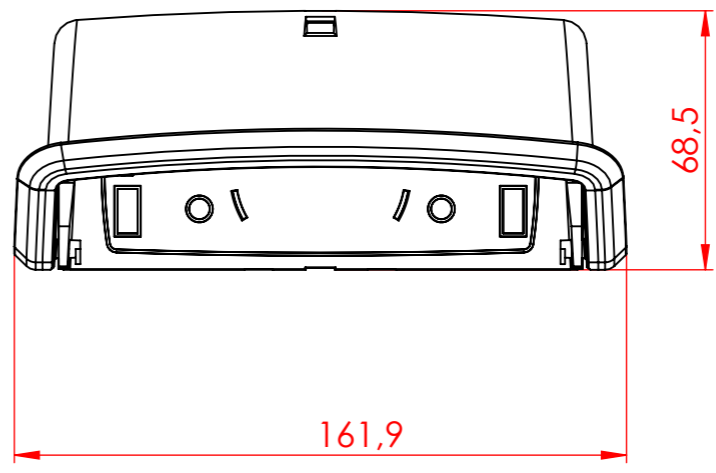
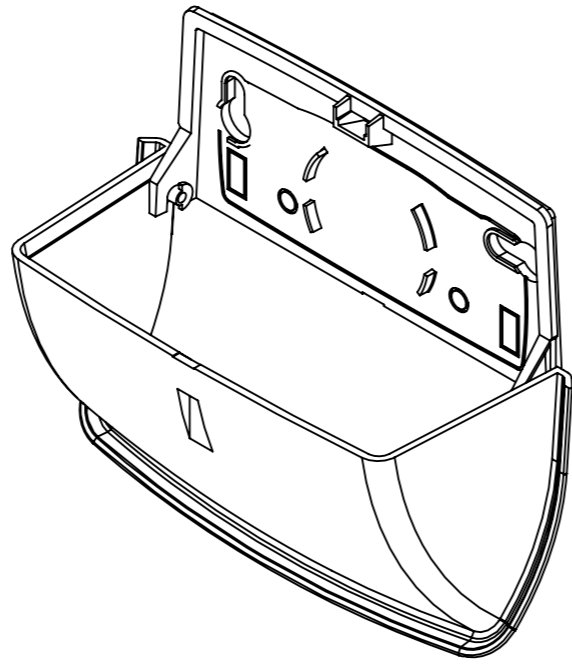
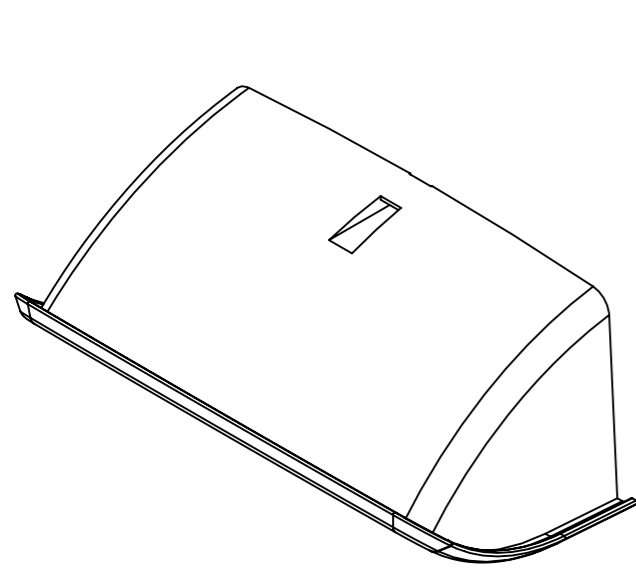
5

4

3

2

1



Part volume : mm³ - Part weight : g

THIS DRAWING IS THE PROPERTY OF BEA AND MAY NOT BE REPRODUCED WITHOUT WRITTEN AGREEMENT

MODIFICATIONS LIST

Date:	By:	Description:	Ver.:	Rev.:
13/09/2023	PR	Document Released	01	01



Project number : E486 - Eagle Artek Accessories
 Description : E486-Rain Accessory External Dimensions – 48.1569
 General tolerance : See note 1
 Material : See note 2 Treatment : -
 Part number.Version.Type.Revision Scale Size
 48.1569 .01 . PM .01 1:2 A3

Drawer : PR
 Date : 19/10/2021
 Verified Approved
 Page : 1/1

8

7

6

5

4

3

2

1

D

D

C

C

B

B

A

A