

IXIO-DT3 /-DP3

DOOR BELL INTERFACE

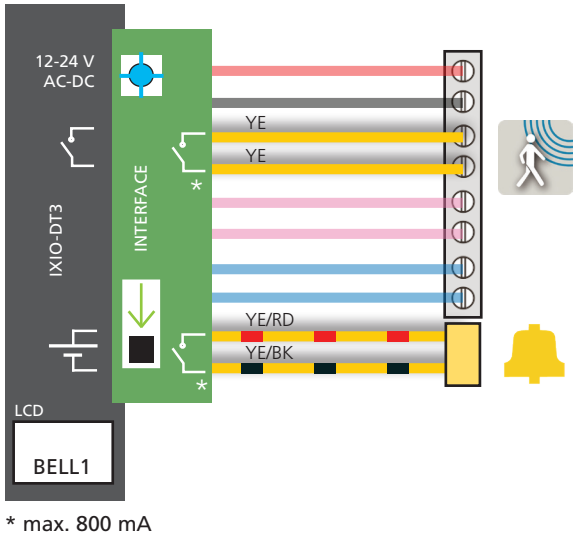
1 PLUG THE IXIO DOOR BELL INTERFACE

Max. switching voltage: 30 V DC / 27 V AC
 Max. switching current: 0.8 A
 Overvoltage protection for inductive loads
 ⚠ No overcurrent protection

2 USE THE FREE OUTPUT WIRES TO CONNECT THE DOOR BELL

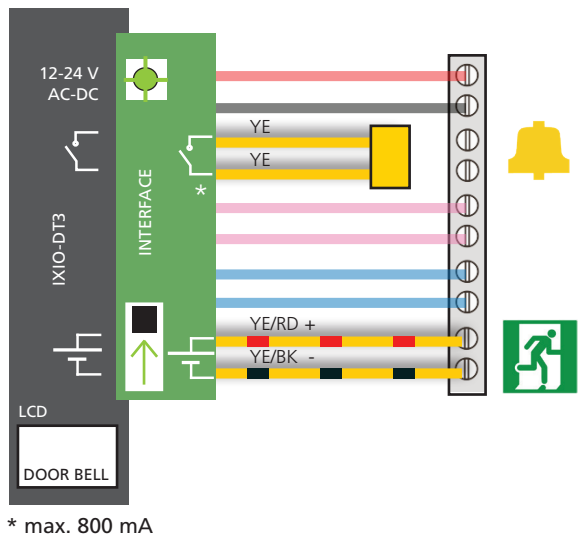
A Relay or frequency output is used to open the door:
 connect YE/RD and YE/BK wires to the door bell
 + turn the switch down.

The LED will be blue and the LCD shows «bell1» when the door bell is activated.



B Current output is used to open the door:
 connect YE wires to the door bell
 + turn the switch up.

The LED will be green and the LCD shows «door bell» when the door bell is activated.

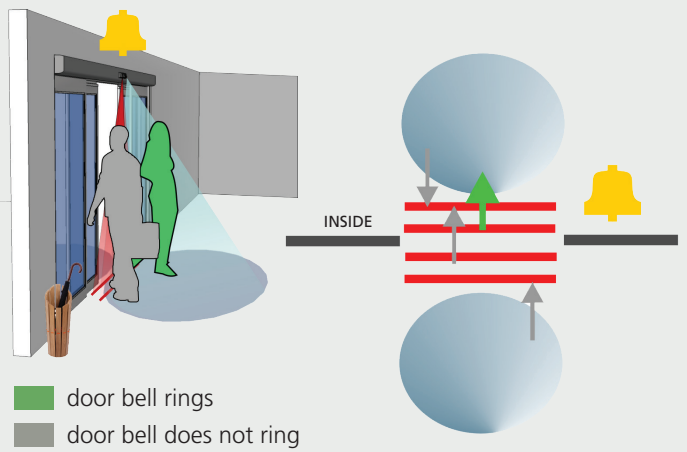


3 CHOOSE THE DOOR BELL DURATION VIA LCD (0.05 s - 5 s)

WHEN DOES THE DOOR BELL RING?

The door bell is activated when the inside radar detects a person who enters after crossing both inside infrared curtains.

If the door bell rings when a person leaves the building, increase the radar angle slightly towards the interior.



■ door bell rings
 ■ door bell does not ring

