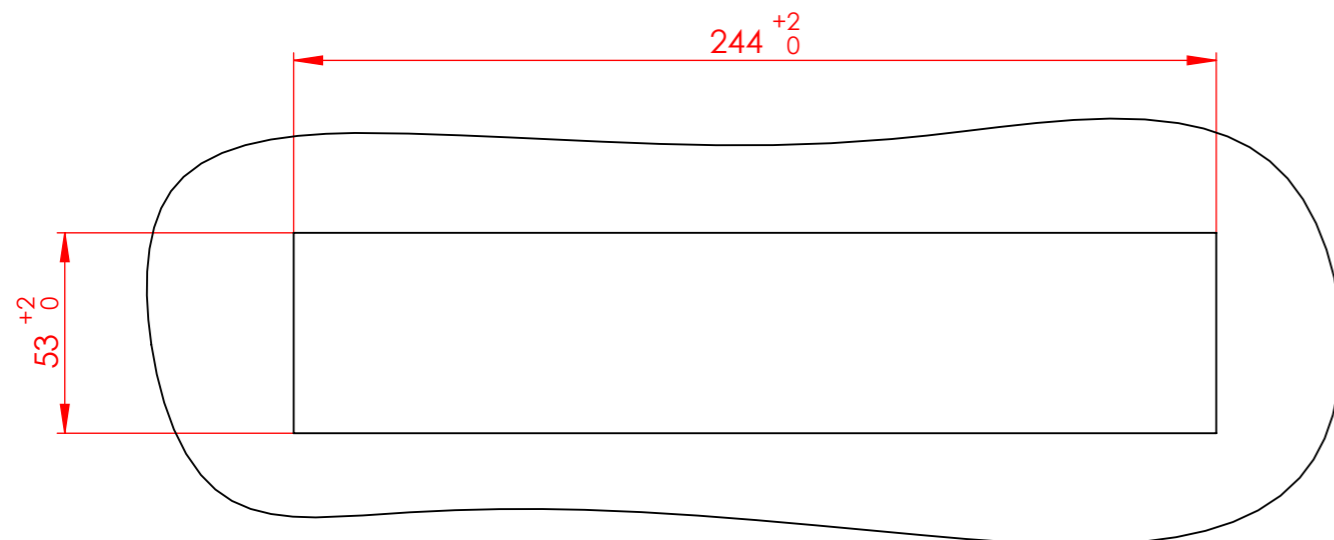


**PANEL OPENING**



Part Volume : mm<sup>3</sup> - Part Weight : gr

THIS DRAWING IS THE PROPERTY OF BEA AND MAY NOT BE REPRODUCED WITHOUT WRITTEN AGREEMENT

**MODIFICATIONS LIST**

Date:	By:	Description:	Ver:	Rev:
29/01/2019	PR	Document Released	01	01



Project Number : E417 - IXIO-ST flush mounting accessory  
Description : E417 - IXIO-ST flush mounting accessory Ext. Dim.

GENERAL TOLERANCE :

MATERIAL:

TREATEMENT:

Part Number	Version	Type	Revision	Scale	Size
48.0728 . 01 . PA . 01				1:2	A3

DRAWER :  
DATE : 09/05/2018

VERIFIED APPROVED

PAGE: 1 / 1