


**RAIN ACCESSORY COMPATIBLE WITH :**

- IXIO - D (see page 2/4)**
- VIO - D & ST (see page 3/4)**
- IXIO - S (see page 4/4)**

Part Volume : mm<sup>3</sup> - Part Weight : gr

THIS DRAWING IS THE PROPERTY OF BEA AND MAY NOT BE REPRODUCED WITHOUT WRITTEN AGREEMENT

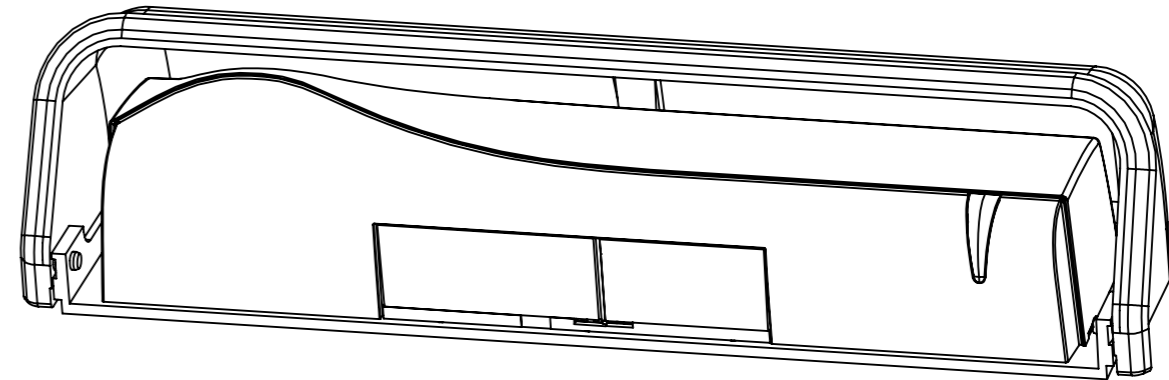
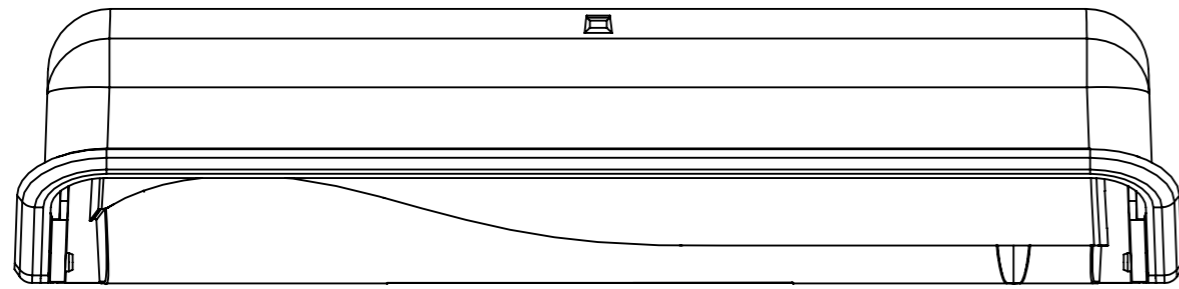
MODIFICATIONS LIST					
Date :	By :	Description :	Ver :	Rev :	
X	X	X	X	X	
X	X	X	X	X	
X	X	X	X	X	
X	X	X	X	X	
X	X	X	X	X	

 <b>A HALMA COMPANY</b> WWW.BEA.BE	<b>PROD. NAME : E297(d) - Ixio&amp;Vio Rain accessory</b>				DRAWER : PR	
	<b>TITLE : Ixio &amp; Vio Rain Accessory External Dimensions</b>				DATE : 09/07/13	
	GENERAL TOLERANCE : -				VERIFIED	APPROVED
	MATERIAL: -		TREATEMENT: -			
Objet	Ver.Obj	Doc.	Rev.Doc.	Scale	Size	
41.8760 . 01 . PA . 01				1:2	A3	
					PAGE: 1 / 4	

H G F E D C B A

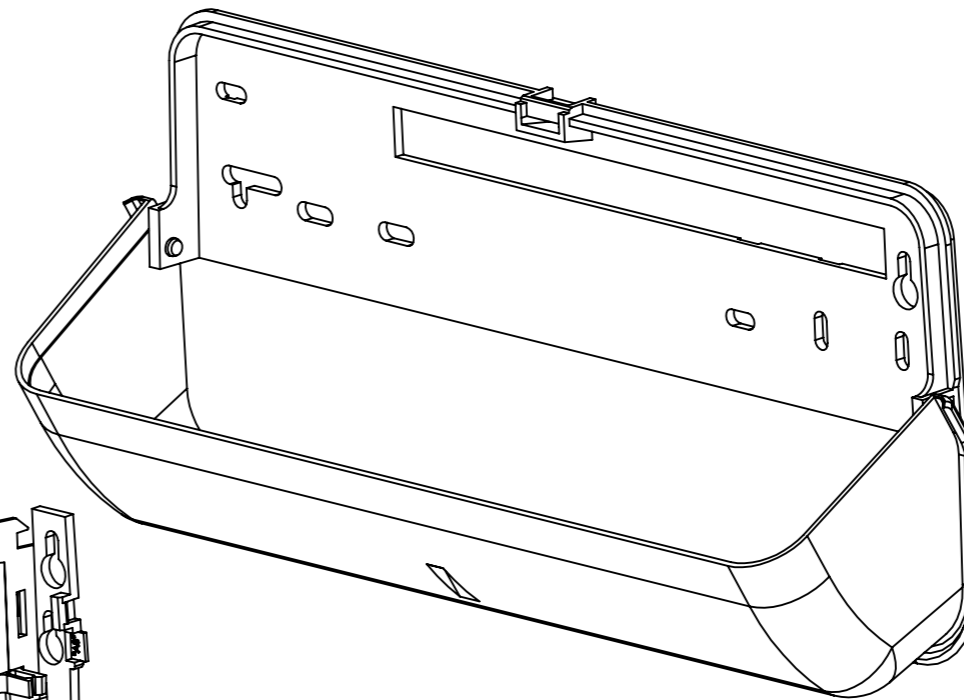
4

4

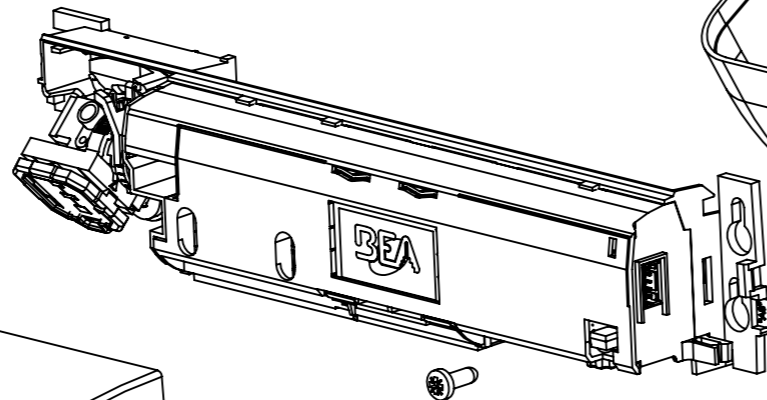
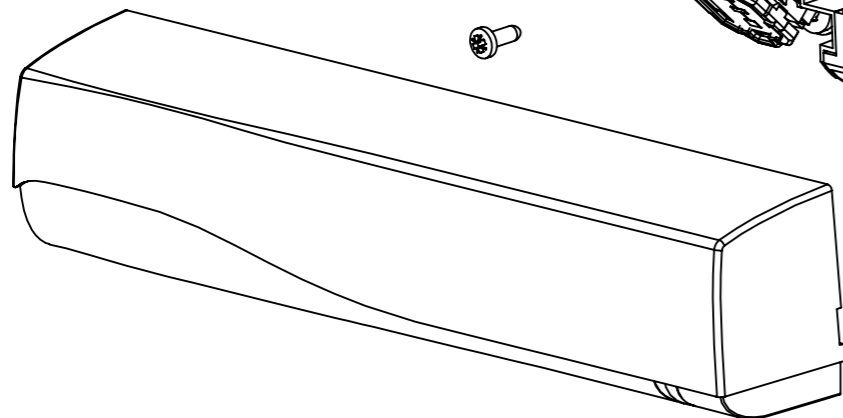


3

3



2



1

H G F E D C B A

Part Volume : mm<sup>3</sup> - Part Weight : gr

THIS DRAWING IS THE PROPERTY OF BEA AND MAY NOT BE REPRODUCED WITHOUT WRITTEN AGREEMENT

**MODIFICATIONS LIST**

Date :	By :	Description :	Ver :	Rev :
X	X	X	X	X
X	X	X	X	X
X	X	X	X	X
X	X	X	X	X
X	X	X	X	X

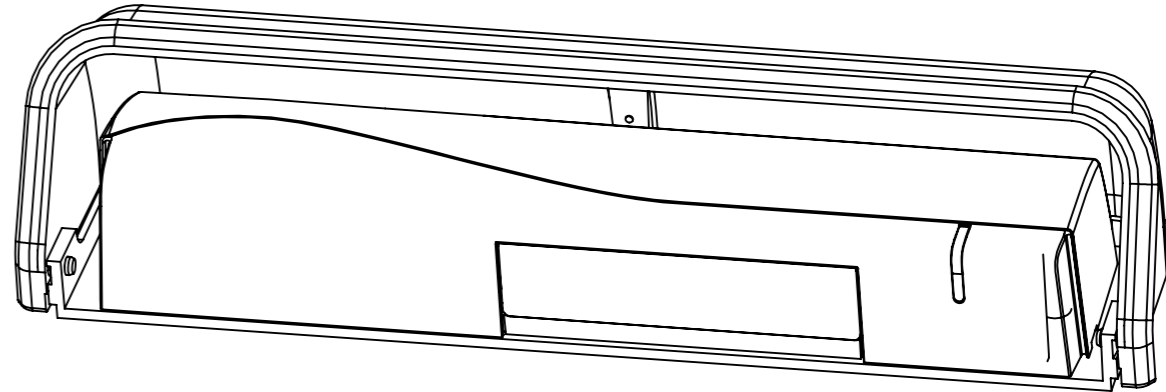
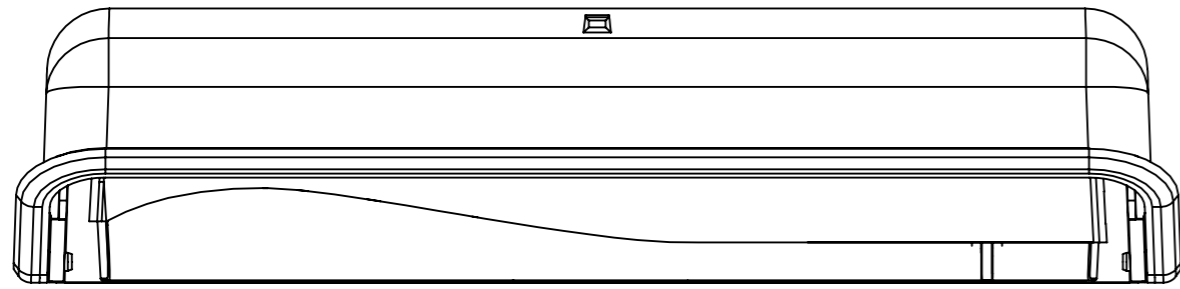


<b>PROD. NAME : E297(d) - Ixio&amp;Vio Rain accessory</b>		DRAWER : PR	
<b>TITLE : Ixio &amp; Vio Rain Accessory External Dimensions</b>		DATE : 09/07/13	
GENERAL TOLERANCE : -		VERIFIED	APPROVED
MATERIAL: -	TRETEMENT: -		
Objet	Ver.Obj	Doc.	Rev.Doc.
41.8760 . 01 . PA . 01		Scale	Size
		1:2	A3
		PAGE: 2 / 4	

H G F E D C B A

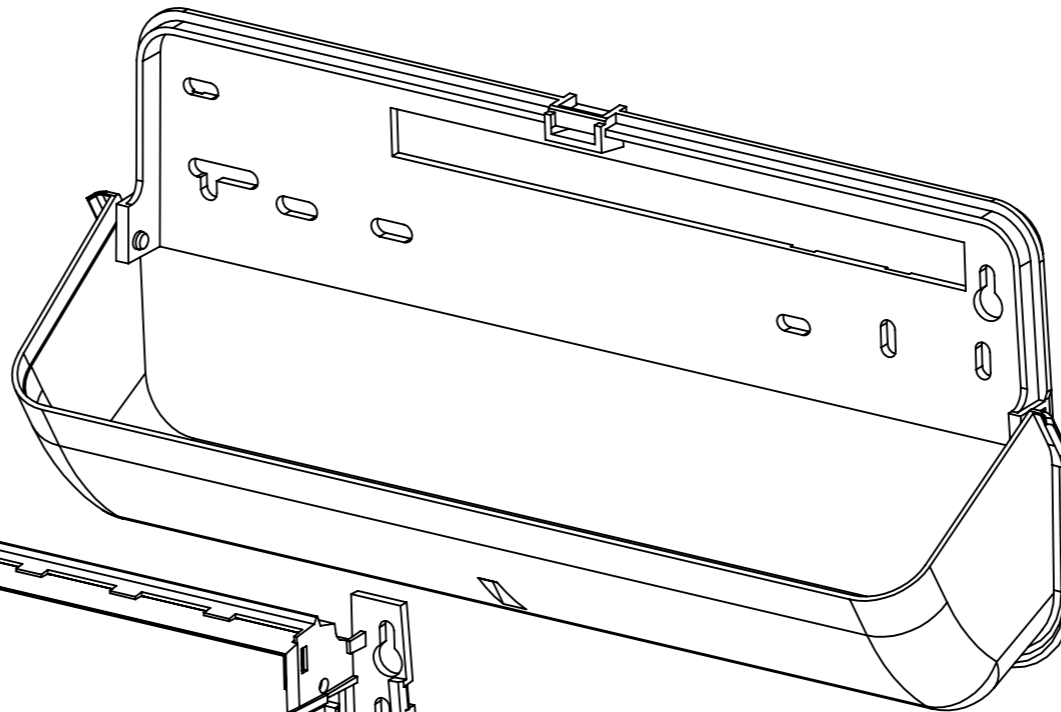
4

4



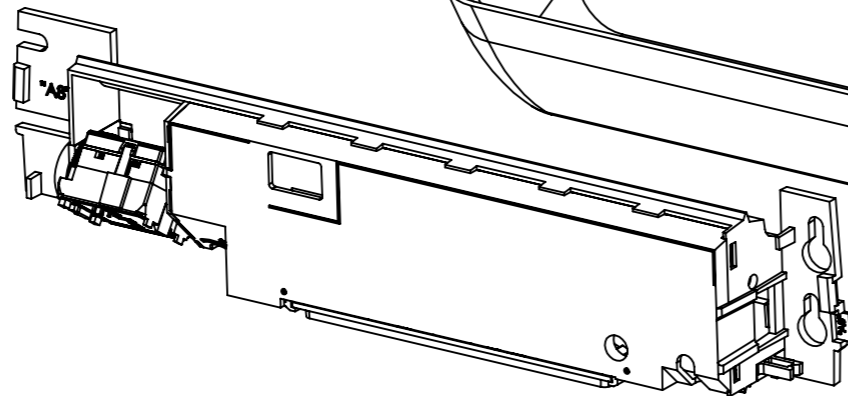
3

3



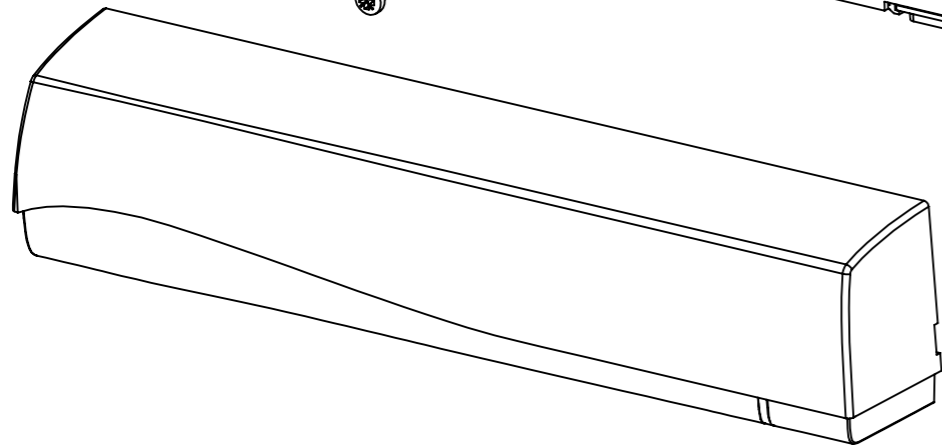
2

2



1

1



H G F E D C B A

Part Volume : mm<sup>3</sup> - Part Weight : gr

THIS DRAWING IS THE PROPERTY OF BEA AND MAY NOT BE REPRODUCED WITHOUT WRITTEN AGREEMENT

**MODIFICATIONS LIST**

Date :	By :	Description :	Ver :	Rev :
X	X	X	X	X
X	X	X	X	X
X	X	X	X	X
X	X	X	X	X
X	X	X	X	X



PROD. NAME : E297(d) - Ixio&Vio Rain accessory

TITLE : Ixio & Vio Rain Accessory External Dimensions

GENERAL TOLERANCE : -

MATERIAL : - TREATMENT : -

Objet	Ver.Obj	Doc.	Rev.Doc.	Scale	Size
-------	---------	------	----------	-------	------

41.8760 . 01 . PA . 01 1:2 A3

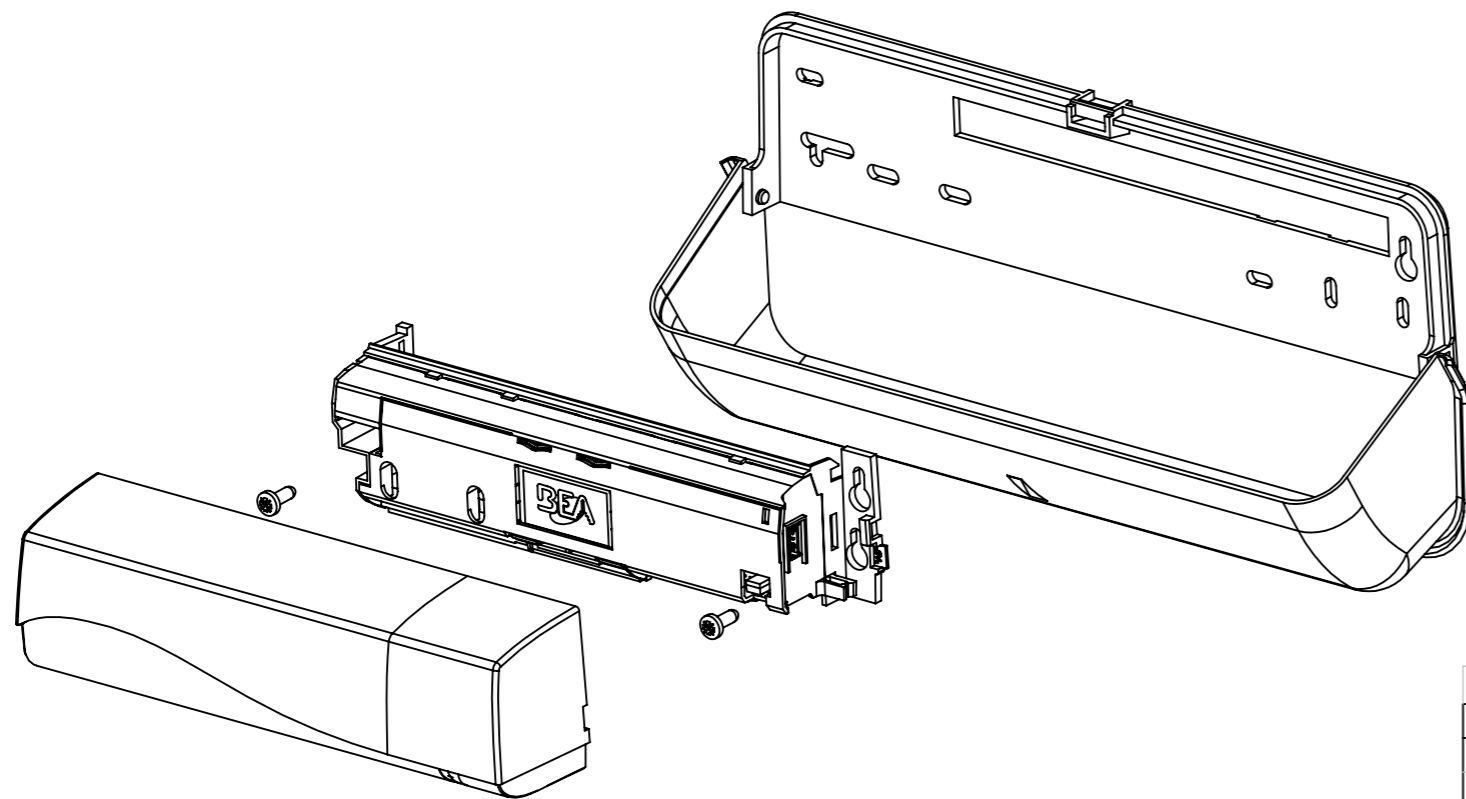
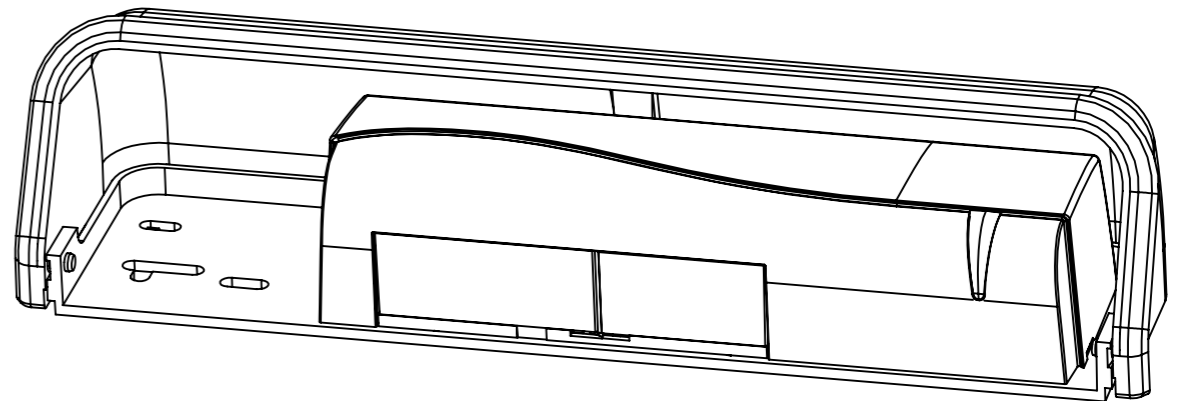
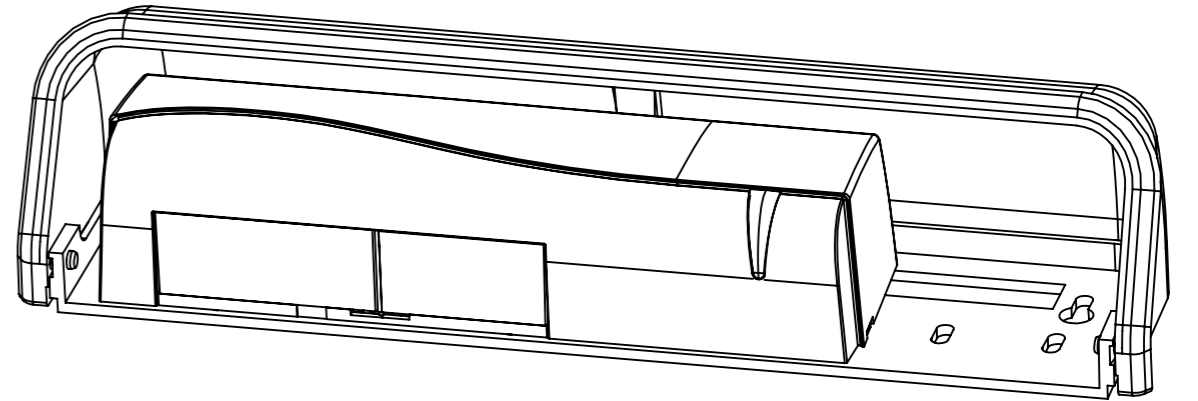
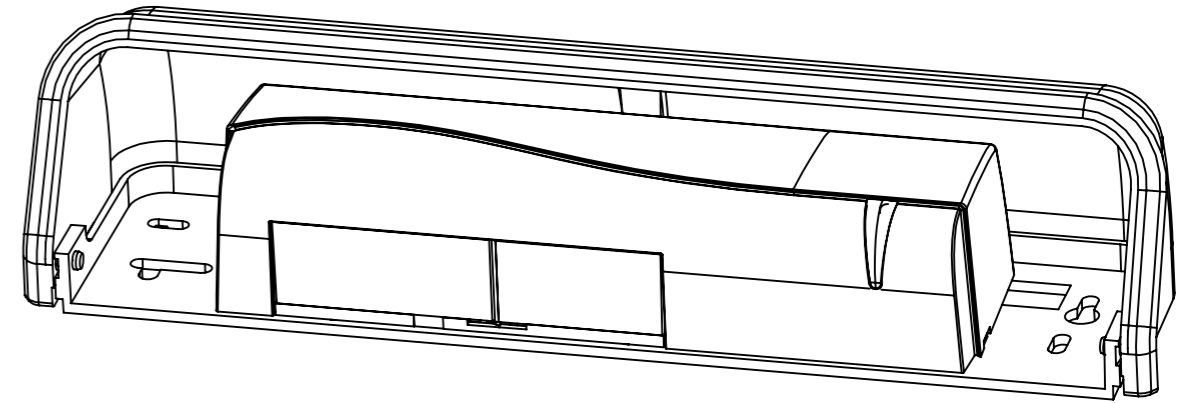
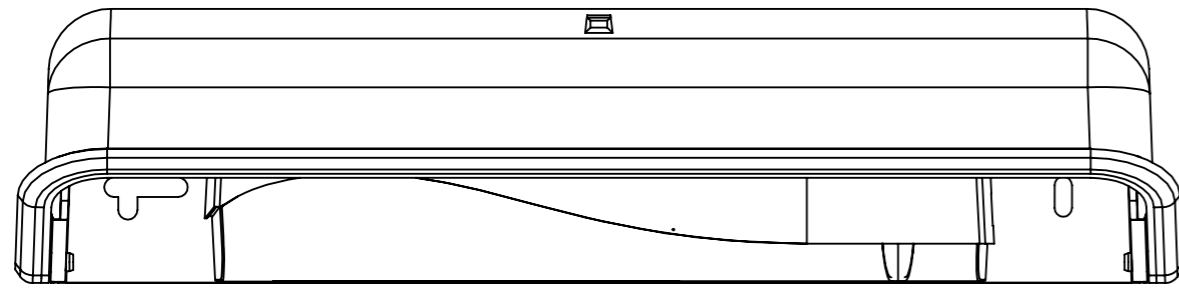
DRAWER : PR

DATE : 09/07/13

VERIFIED APPROVED

PAGE: 3 / 4

H G F E D C B A



H G F E D C B A

Part Volume : mm³ - Part Weight : gr

THIS DRAWING IS THE PROPERTY OF BEA AND MAY NOT BE REPRODUCED WITHOUT WRITTEN AGREEMENT

**MODIFICATIONS LIST**

Date :	By :	Description :	Ver :	Rev :
X	X	X	X	X
X	X	X	X	X
X	X	X	X	X
X	X	X	X	X
X	X	X	X	X



PROD. NAME : E297(d) - Ixio&Vio Rain accessory

TITLE : Ixio & Vio Rain Accessory External Dimensions

GENERAL TOLERANCE : -

MATERIAL: - TREATEMENT: -

Objet Ver.Obj Doc. Rev.Doc. Scale Size

41.8760 . 01 . PA . 01 1:2 A3

DRAWER : PR

DATE : 09/07/13

VERIFIED APPROVED

PAGE: 4 / 4