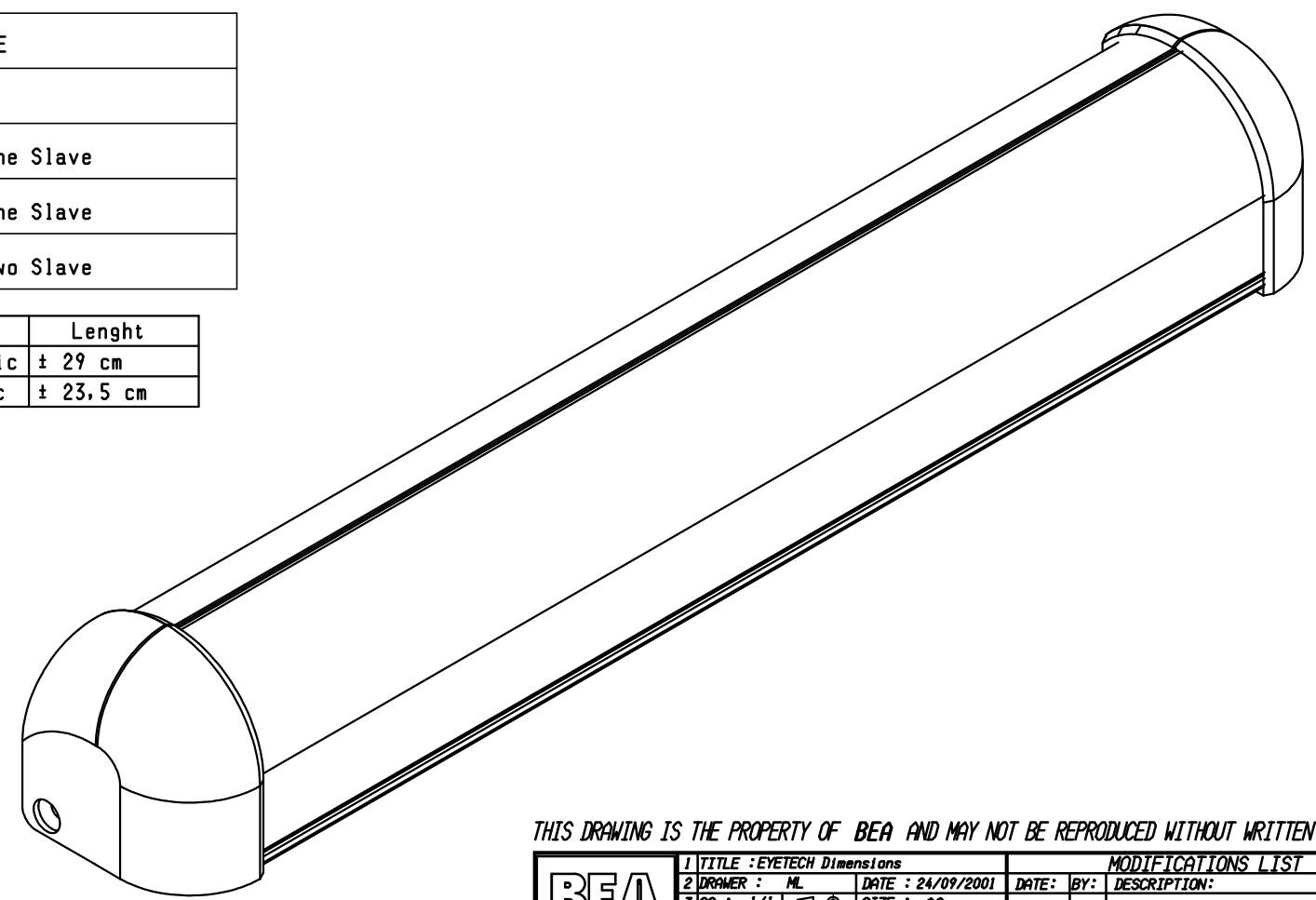
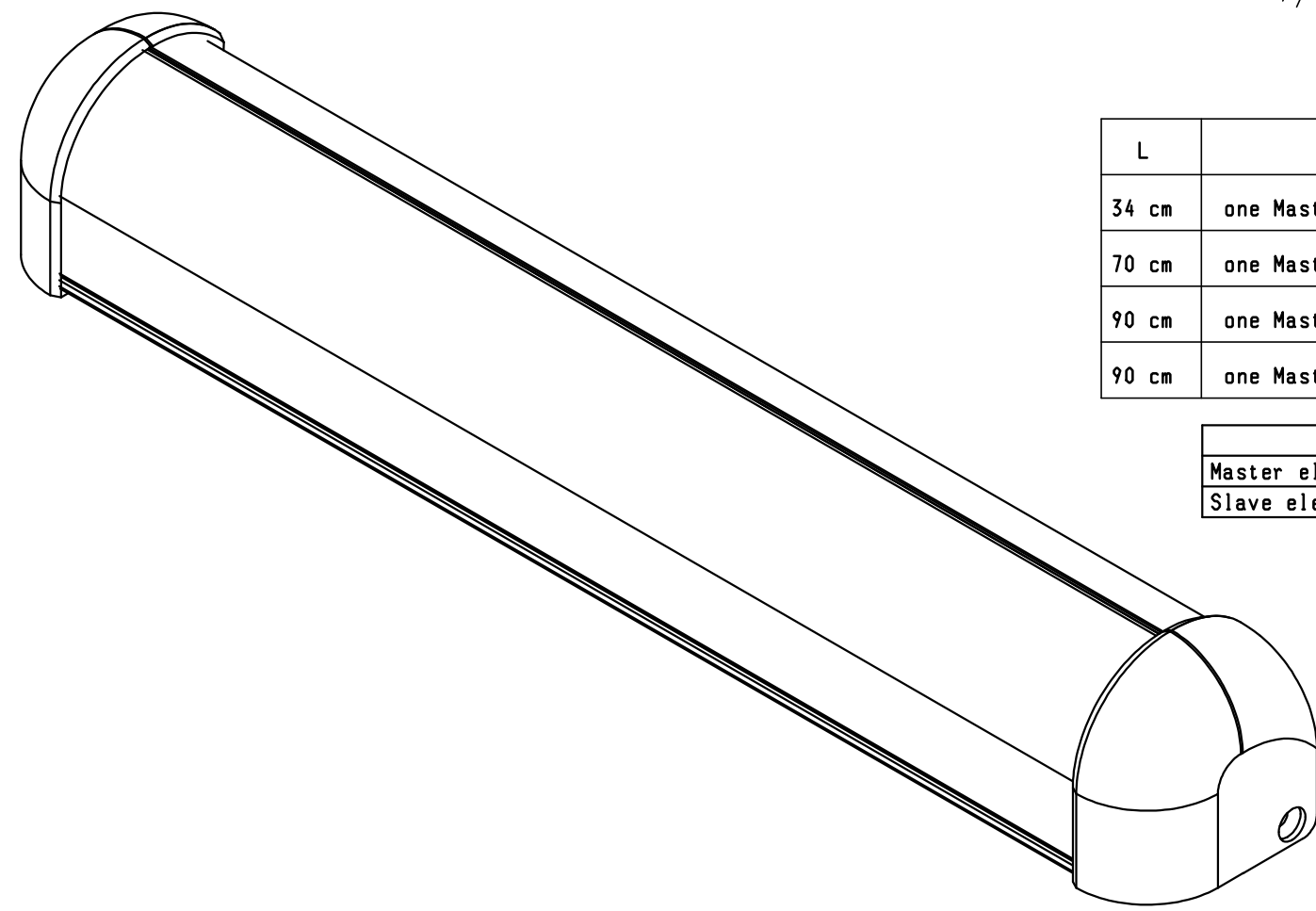


NOTE 1:  
WARNING :  
do not position the screws  
in the same place as card  
fixing support

A or B =  
passage for the  
connection sheath



L	TYPE
34 cm	one Master
70 cm	one Master + one Slave
90 cm	one Master + one Slave
90 cm	one Master + two Slave

	Lenght
Master electronic	± 29 cm
Slave electronic	± 23,5 cm

THIS DRAWING IS THE PROPERTY OF BEA AND MAY NOT BE REPRODUCED WITHOUT WRITTEN AGREEMENT

BEA		1 TITLE : EYETECH Dimensions		MODIFICATIONS LIST			
DATE:	BY:	DESCRIPTION:	REL.	VER.			
24/09/2001	ML						
1/1		SIZE : A2					
LIEGE-BELGIUM		5 TREATMENT :-					
VERIFIED APPROVED		6 GENERAL TOLERANCE :-					
		7 C.A.D. FILE:					
		MCADAM/BEAS/EYTECH/EYTECH_DIM					
DOC. : PA	OBJET : 41.5506	VER. : NA	PAGE : 01/01				