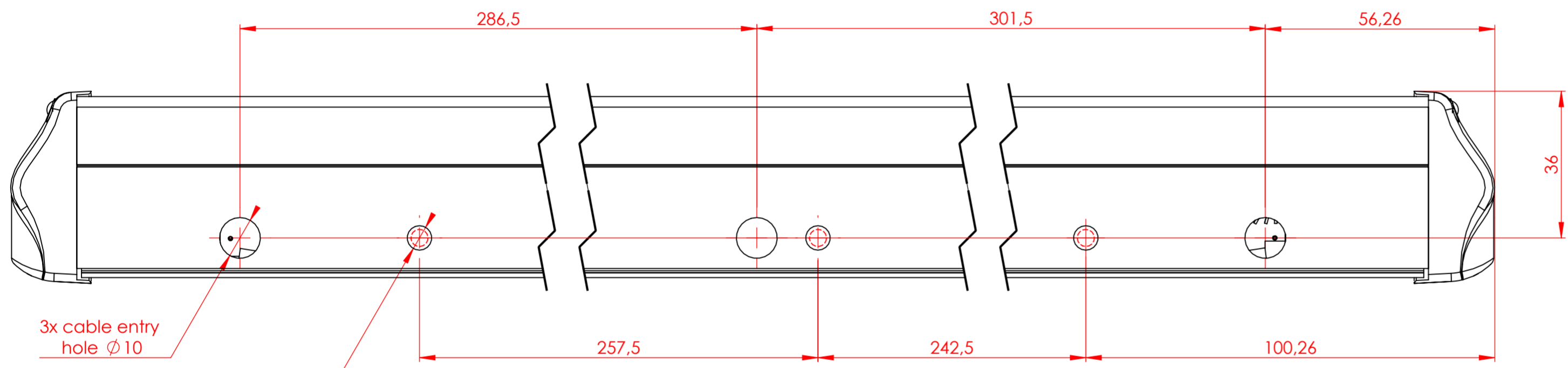
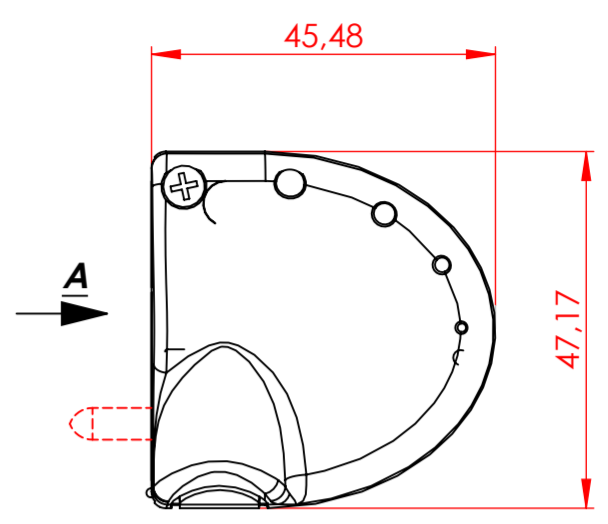
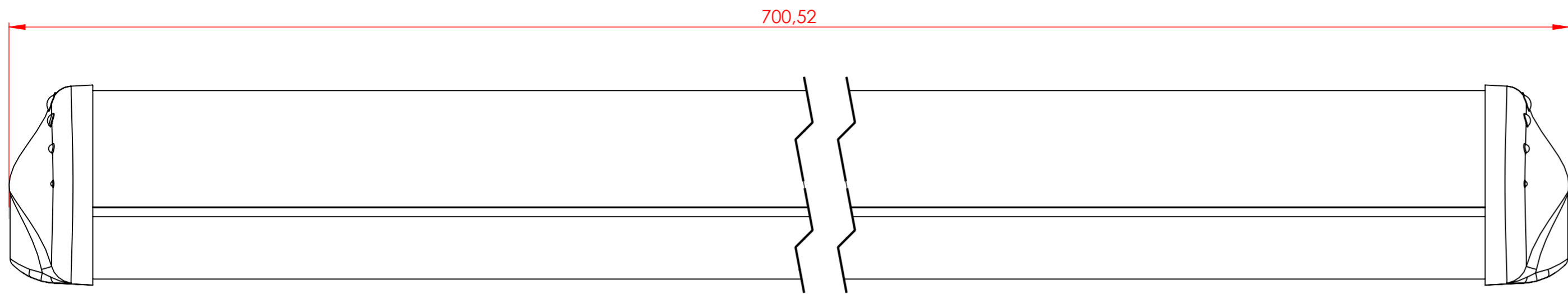


H G F E D C B A

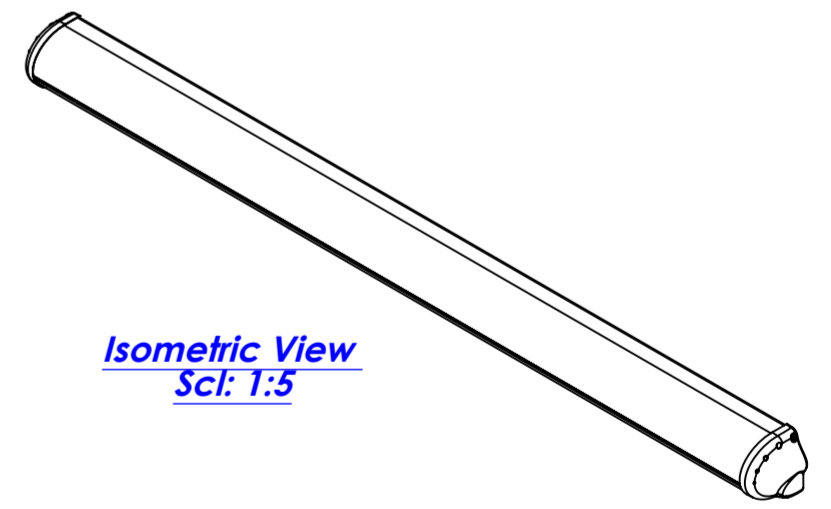
8 7 6 5 4 3 2 1



3x cable entry hole Ø10

3x holes Ø6 for screw DIN7981 N°8 x 1/2

VUE A



Isometric View
Sci: 1:5

Part Volume : mm³ - Part Weight : gr

THIS DRAWING IS THE PROPERTY OF BEA AND MAY NOT BE REPRODUCED WITHOUT WRITTEN AGREEMENT

MODIFICATIONS LIST					
Date :	By :	Description :	Ver :	Rev :	
-	-	-	-	-	-
-	-	-	-	-	-
-	-	-	-	-	-
-	-	-	-	-	-
-	-	-	-	-	-

<p>A HALMA COMPANY WWW.BEA.BE</p>	PROD. NAME : 4 Safe TITLE : Dim 700 mm GENERAL TOLERANCE : -	DRAWER : NBE DATE : 20/09/2012 VERIFIED APPROVED
	MATERIAL : - TREATMENT : -	Objet Ver.Obj Doc. Rev.Doc. Scale Size 41.8616 .01 .PA .01 1:1 A2

PDM Project : E028 - 4Safe - File Name : 41.8616 - 4Safe Dim 700mm

H G F E D C B A