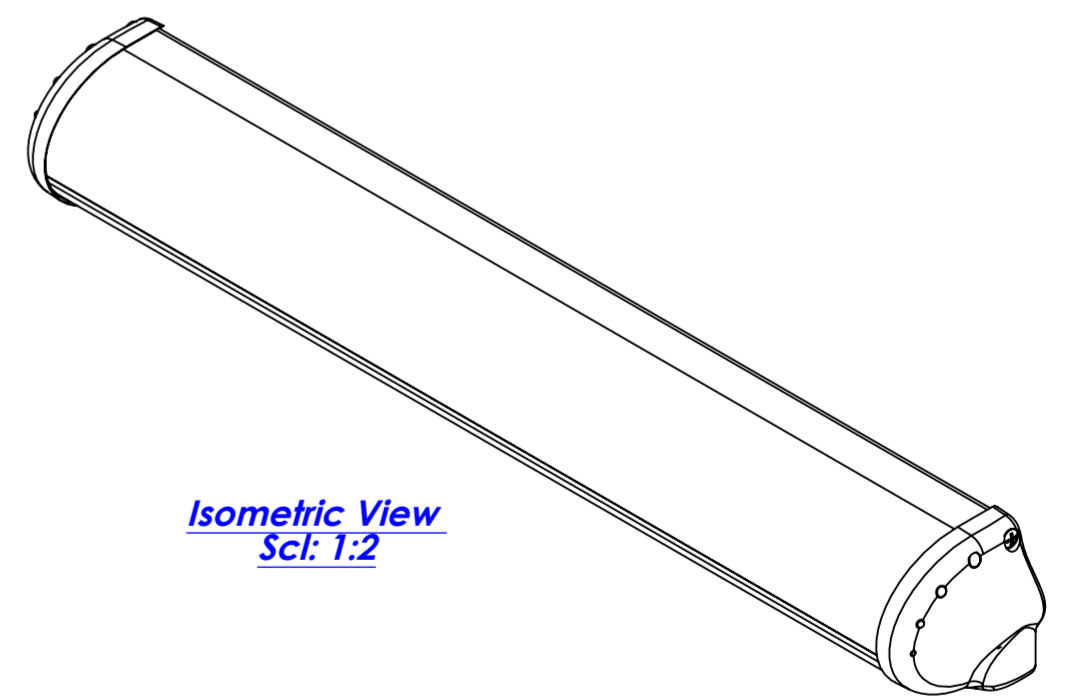


2x holes $\varnothing 6$ for screw
DIN 7981 N°8 x 1/2

2x Cable
entry hole $\varnothing 10$

VUE A



Isometric View
Sci: 1:2

Part Volume : mm³ - Part Weight : gr

THIS DRAWING IS THE PROPERTY OF BEA AND MAY NOT BE REPRODUCED WITHOUT WRITTEN AGREEMENT

MODIFICATIONS LIST					
Date :	By :	Description :	Ver :	Rev :	
-	-	-	-	-	-
-	-	-	-	-	-
-	-	-	-	-	-
-	-	-	-	-	-

<p>BEA A HALMA COMPANY WWW.BEA.BE</p>	PROD. NAME : 4 Safe TITLE : Dim 350 mm GENERAL TOLERANCE : -	DRAWER : NBE DATE : 20/09/2012 VERIFIED APPROVED												
	MATERIAL : - TREATMENT : -	<table border="1"> <tr> <th>Objet</th> <th>Ver.Obj</th> <th>Doc.</th> <th>Rev.Doc.</th> <th>Scale</th> <th>Size</th> </tr> <tr> <td>41.8615.01.PA.01</td> <td></td> <td></td> <td></td> <td>1:1</td> <td>A2</td> </tr> </table>	Objet	Ver.Obj	Doc.	Rev.Doc.	Scale	Size	41.8615.01.PA.01				1:1	A2
Objet	Ver.Obj	Doc.	Rev.Doc.	Scale	Size									
41.8615.01.PA.01				1:1	A2									

PDM Project : E028 - 4Safe - File Name : 41.8615 - 4Safe - 350mm