

# EAGLE THREE-N

Universal "self monitoring"  
opening  
for all automatic doors



## Detection

- **TÜV approved** as entirely self-monitored sensor and unidirectional
- **Very wide sensing field** for greater user comfort, and to ensure that a door is always open when someone wants to walk through it

## Technology

- **Planar K-band antenna** specially developed for automatic doors
- **Digital electronics** controlled by a powerful second generation RISC micro-processor, which affords increased protection against interference

## Adjustment for universal use

- **Fully controlled by a coded infrared remote control** : no more climbing up and down ladders to adjust the sensor. Thanks to its remote control, the EAGLE can be adjusted simply and rapidly from a distance, without opening the housing
- **"3-D" adjustment** : the EAGLE's antenna can be oriented along two axes
- **Front adjustment of the antenna** : from 0° to 90° ! This means you can fix your EAGLE with its back to the ceiling, without further accessories or investment
- **Lateral adjustment of the antenna** : 30° left to 30° right ! Can be positioned perfectly horizontally on the side of a door, with the option of centring the field in relation to this door
- **New**, highly useful functions for difficult situations

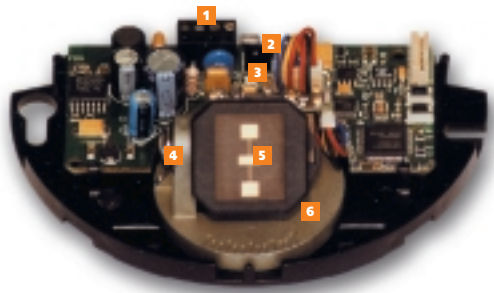
## Appearance

- **Harmonious**, as it uses the same housing as the EAGLE range (ONE and TWO)
- **Sophisticated design** which will win over the most exacting architects
- **Very compact size**, which means minimal visual impact and high ease of fitting, even in the tightest spots
- Virtually **vandal-proof** with its robust ABS housing, and not subject to maladjustment thanks to its special system for fixing the housing

■ The unidirectional "self-monitoring" sensor controlled by infrared remote control

A "self-monitoring" motion sensor approved by the TÜV, and controlled by an infrared remote control. Ideal for opening of all types of self-monitored automatic doors. Uses digital electronics controlled by a powerful second-generation RISC microprocessor.





## Description

- 1 Connection block
- 2 Infrared receiver
- 3 Led
- 4 Antenna bracket front adjustment
- 5 Planar antenna
- 6 Ring for lateral adjustment

## Accessories

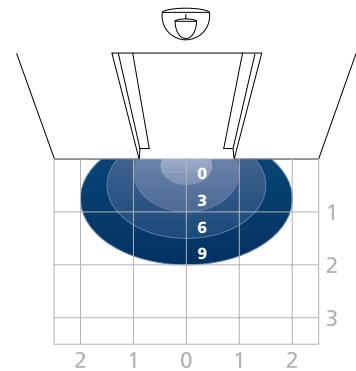
- 1. **ECA** : Accessory for mounting in false ceiling
- 2. **ERA** : Rain cover accessory
- 3. **EBA** : another mounting possibility

## Technical specifications

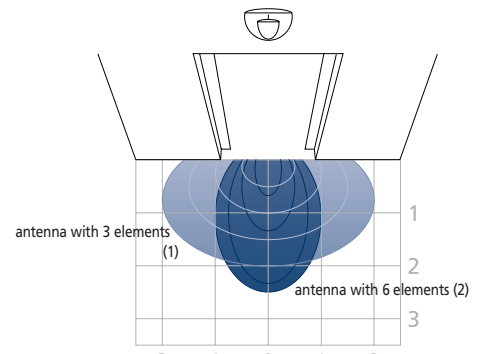
Technology	microwave and microprocessor
Frequency emitted	24.175 GHz
Power density emitted	<< 5 mW/cm <sup>2</sup>
Max. mounting height	2.5 m (with the wide field antenna) 3 m (with the narrow field antenna) (4 m see remote control)
Tilt angle	from 0° to 90° vertical from -30° to 30° lateral
Detection area (typical)	<ul style="list-style-type: none"> <li>• wide field 4 m (W) x 2 m (D)</li> <li>• narrow field 2 m (W) x 2.5 m (D)</li> </ul>
Detection mode	motion
Min. detection speed	5 cm/s (measured in axis of radar)
Supply voltage	12 V to 24 V AC ±10% 12 V to 24 V DC +30% / -10%
Mains Frequency	50 to 60 Hz
Power consumption	< 2 W (VA)
Standard output	current source
Typical load	up to 3 optocouplers connected in series
Available current	10 mA under 3.2 V
Max. response time	50 ms
Output hold time	0.5 s to 9 s (adjustable)
Temperature range	-20°C to +55°C
Protection rating	IP 54
Immunity	electromagnetic compatibility (EMC) in accordance with 89/336/EEC
Accreditation	Conformity to the R&TTE 1999/5/EC requirements Conformity to the requirements of the TÜV for applications on emergency exit doors
Dimensions	120 mm (W) x 80 mm (H) x 50 mm (D)
Mass	215 gr
Material	ABS
Color of housing	anthracite grey (standard), aluminium or white finishing
Length of cable	2.5 m
Manual adjustments	<ul style="list-style-type: none"> <li>• orientation of field mechanical adjustment of the sensor antenna tilt angle, both in azimuth and elevation</li> <li>• shape of field choice of two different antennas (supplied)</li> </ul>
Remote control adjustment	<ul style="list-style-type: none"> <li>• detection mode uni, bi, MTF</li> <li>• sensitivity 10 levels from 0 to 9</li> <li>• hold time from 0.5 s to 9 s in 10 steps</li> <li>• detection algorithms sismo, normal, increased immunity</li> <li>• output configuration normal, permanently open</li> <li>• high mounting function 4 m</li> <li>• safety 4-digit entry code</li> </ul>

Subject to modifications

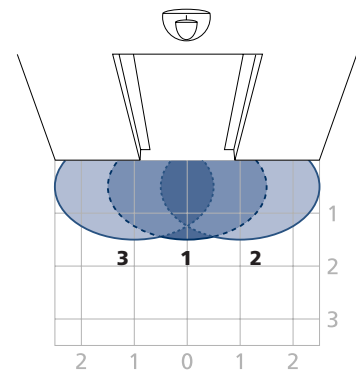
## Sensing fields



**Sensing fields in accordance with sensitivity setting**  
Mounting height : 2.2 m



**Sensing fields in accordance with type of antenna and sensitivity**  
Mounting height : 2.2 m



**Sensing fields in accordance with lateral position of antenna**  
Mounting height : 2.2 m  
Sensitivity : 6

## Application

emergency exit

