

8

7

6

5

4

3

2

1

H

H

G

G

F

F

E

E

D

D

C

C

B

B

A

A

8

7

6

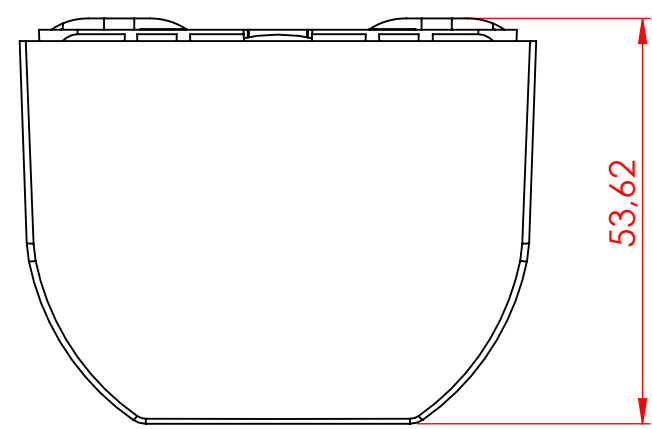
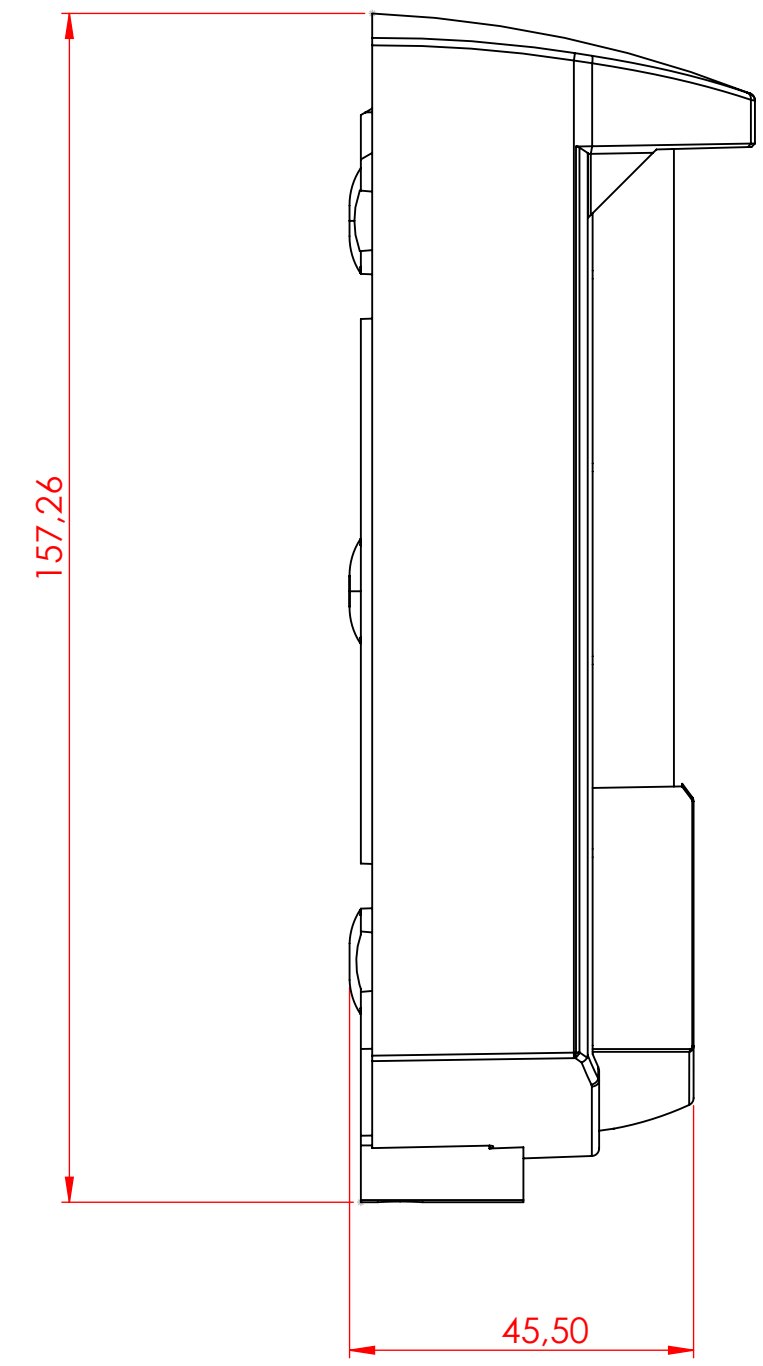
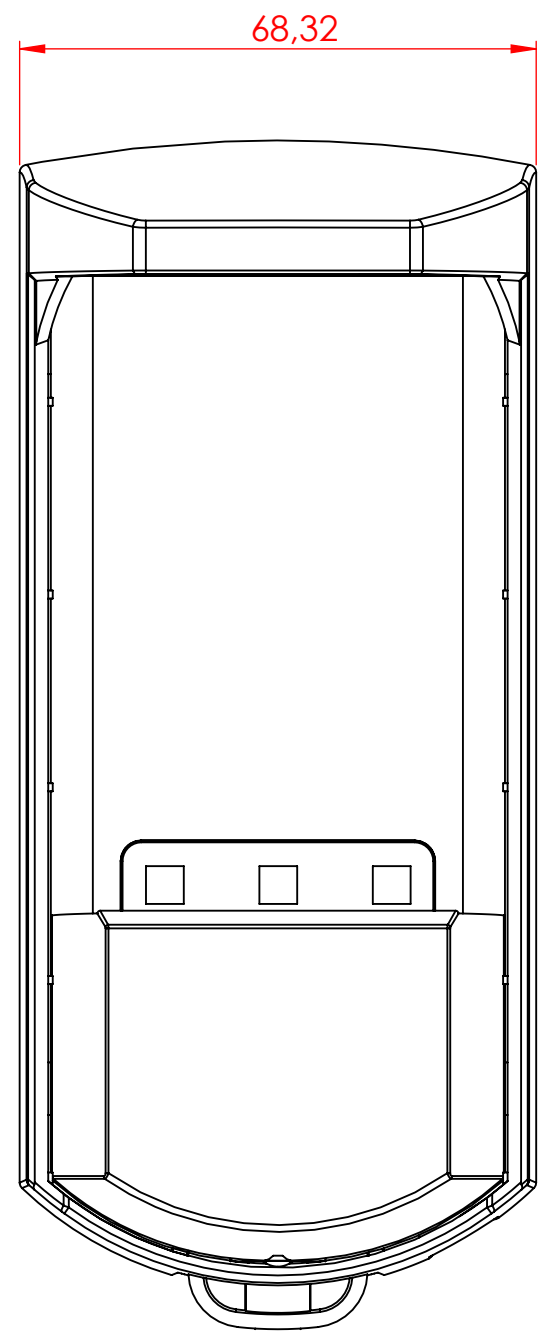
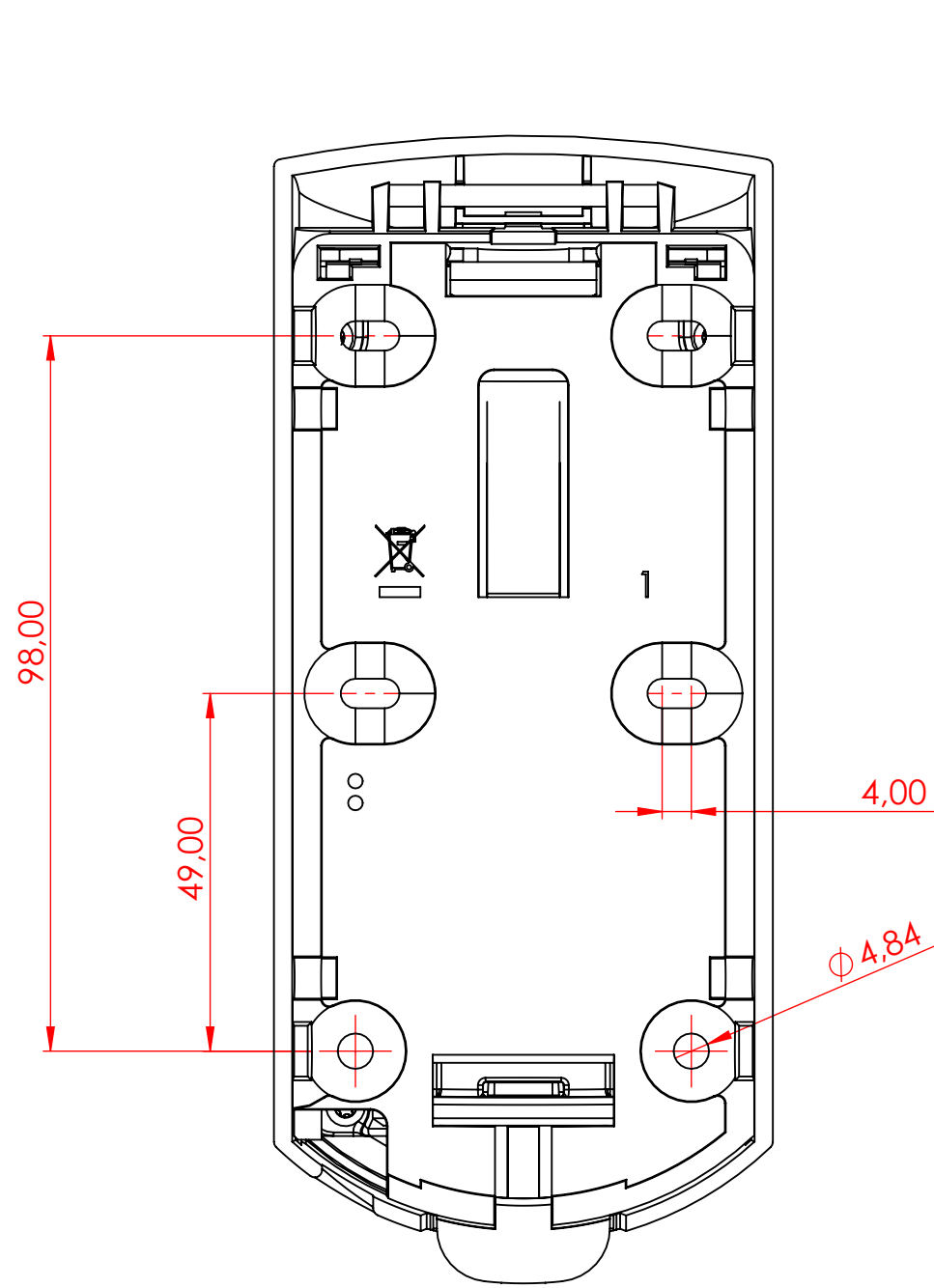
5

4

3

2

1



THIS DRAWING IS THE PROPERTY OF BEA AND MAY NOT BE REPRODUCED WITHOUT WRITTEN AGREEMENT

LAST MODIFICATION DESCRIPTION

 A Halma company https://eu.beasensors.com/en/	Project : EVLOOP		Designer : KGI	
	Description : Overall Dimensions		Date : 18-02-2025	
	General tolerance : -		Approved	
	Material : -		Treatment : -	
Part number revision	Scale	Size		
-	1:1	A2		