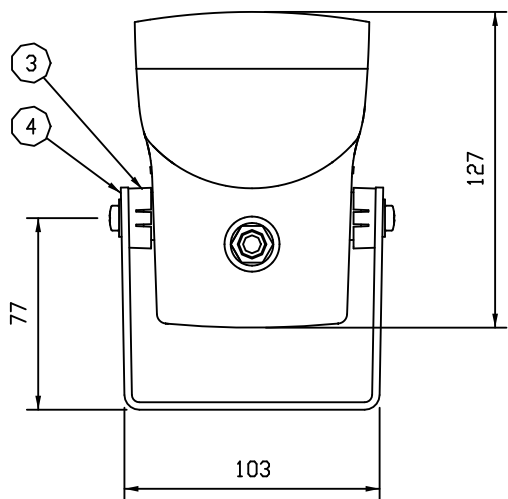
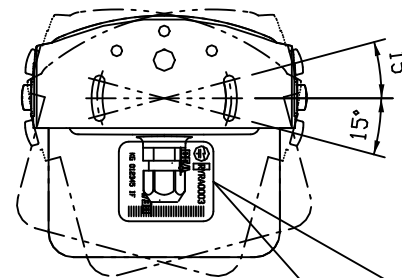
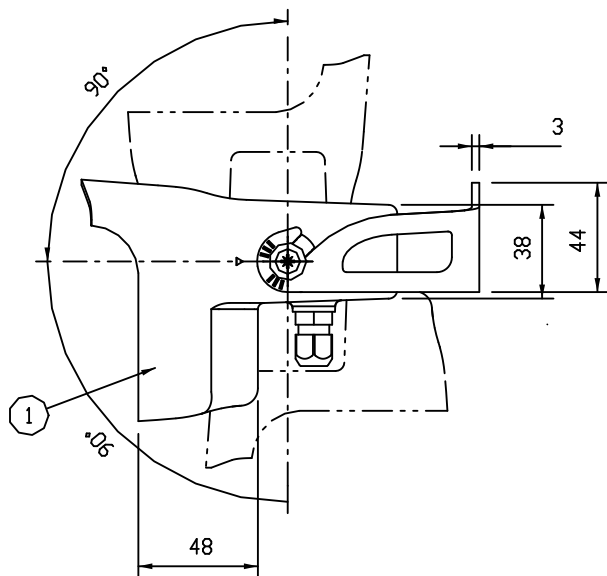
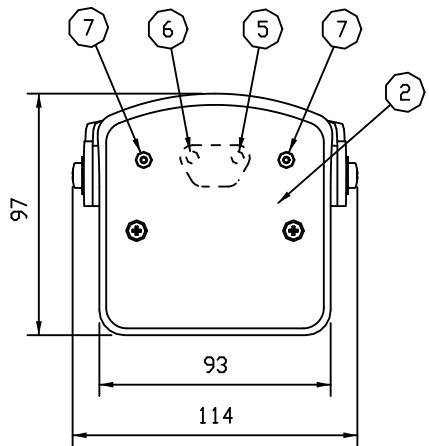


H G F E D C B A



Certification Number

RYRA0003

BEA

3-28-11 Komazawa
Setagaya-Ku
154-0012 Tokyo Japan
www.beasensors.com

Manufacturer Address

Product Name → FALCON

Product Code → KG 012345 IF

Serial Number

Warranty Code

Serial Number Bar-Code

SCALE : 1,5 / 1

THIS DRAWING IS THE PROPERTY OF BEA AND MAY NOT BE REPRODUCED WITHOUT WRITTEN AGREEMENT

ITEM NO	PART NAME	MATERIAL	QTY	PART ID
7	PUSH BUTTON	NBR & ABS	2	
6	GREEN LED		1	
5	RED LED		1	
4	BRACKET	ALUMINIUM	1	41.4852
3	LOCKING COLLAR	LURAN S	2	41.5022
2	FRONT FACE	PC	1	41.4695
1	HOUSING	LURAN S	1	41.4696

TITLE : FALCON FAMILY REQUIRED		MODIFICATIONS LIST	
1	DATE : 22/08/2001	DATE:	BY:
2	DATE : 22/08/2001	DATE:	BY:
3	DATE : 22/08/2001	DATE:	BY:
4	DATE : 22/08/2001	DATE:	BY:
5	DATE : 22/08/2001	DATE:	BY:
6	DATE : 22/08/2001	DATE:	BY:
7	DATE : 22/08/2001	DATE:	BY:

DOC. : PA OBJET : 41.5464 VER. : NA PAGE : 01/01

H G F E D C B A