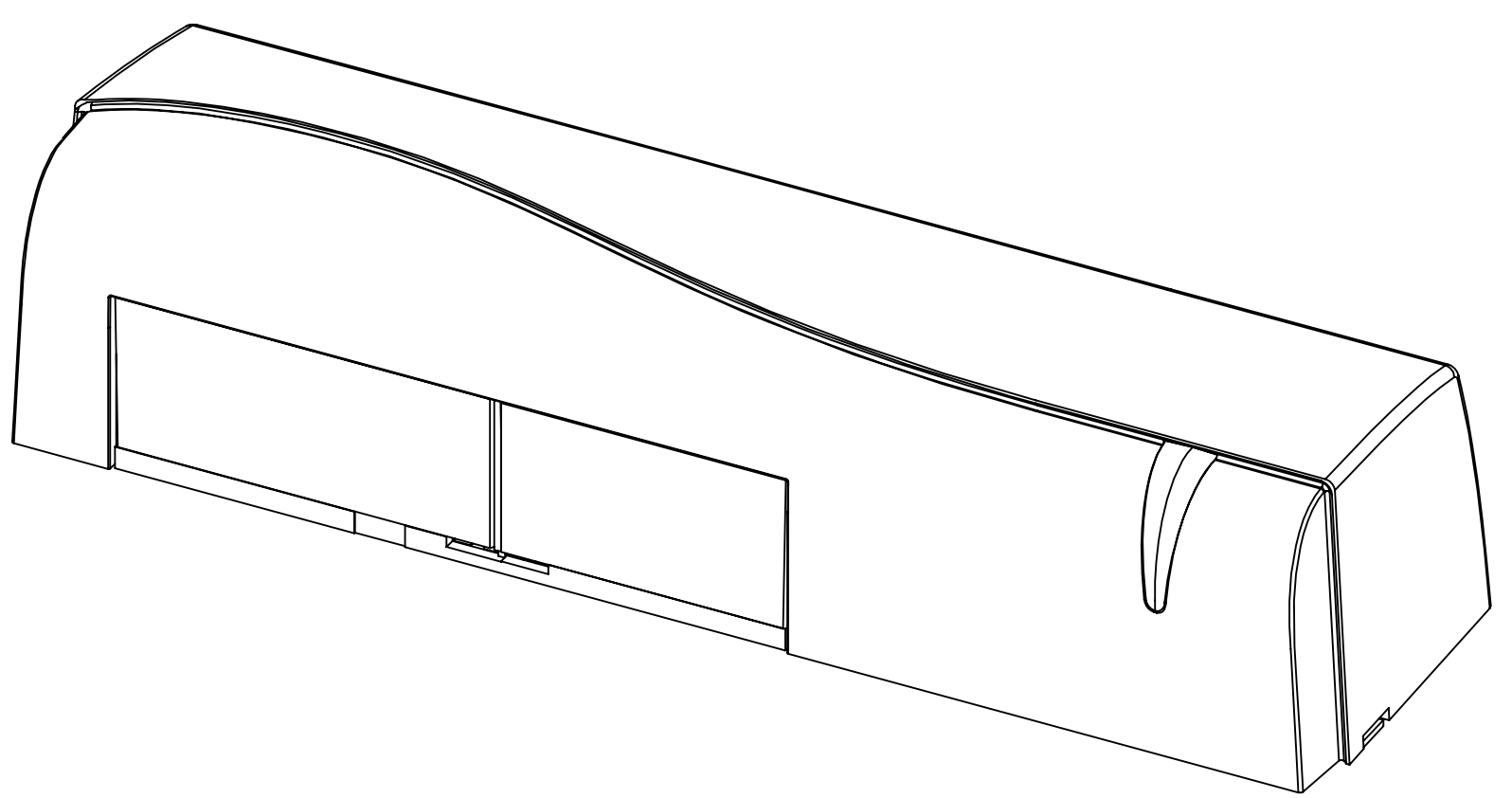
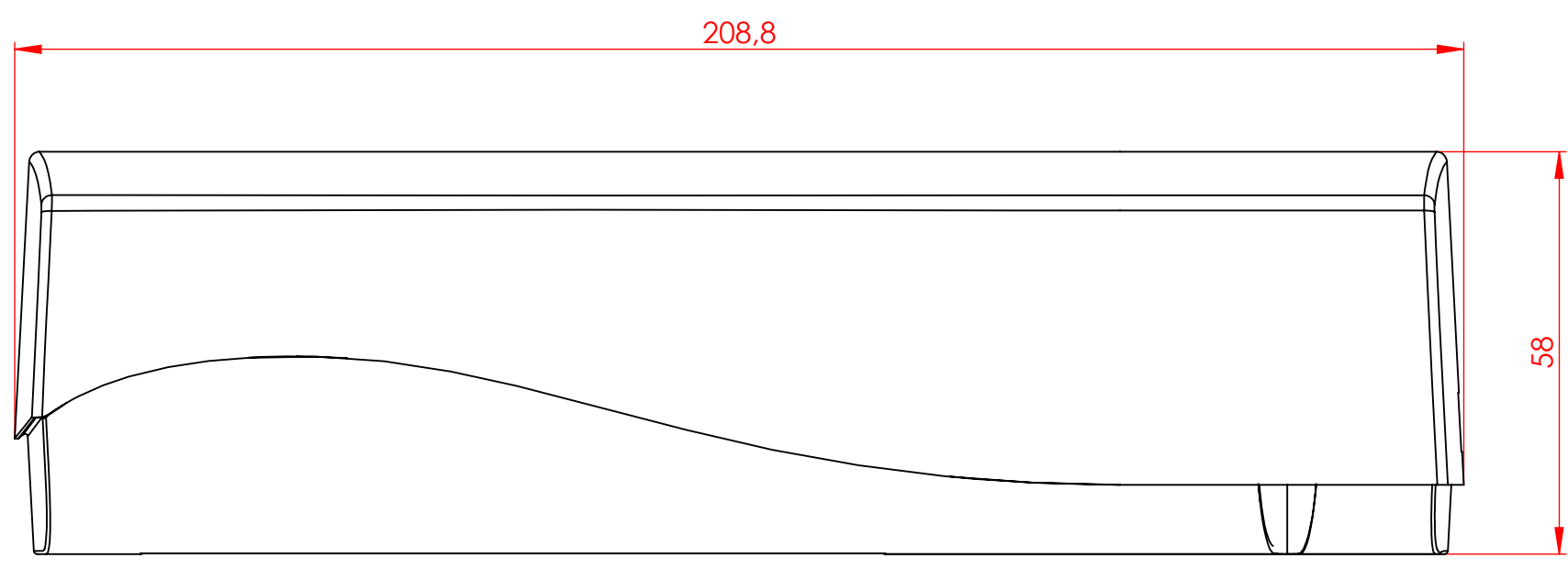
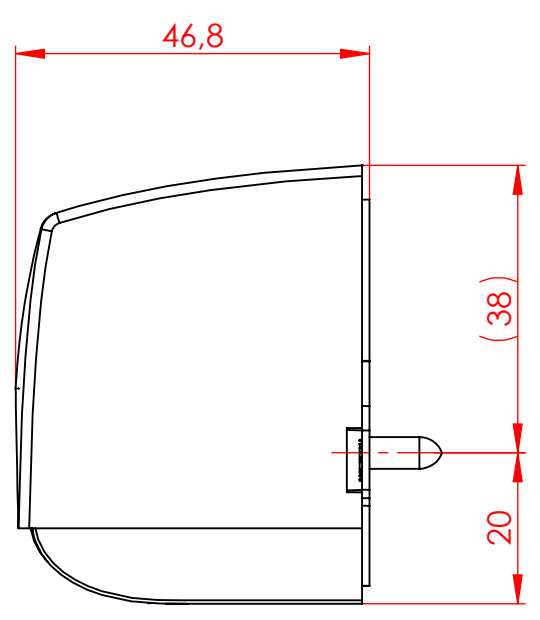
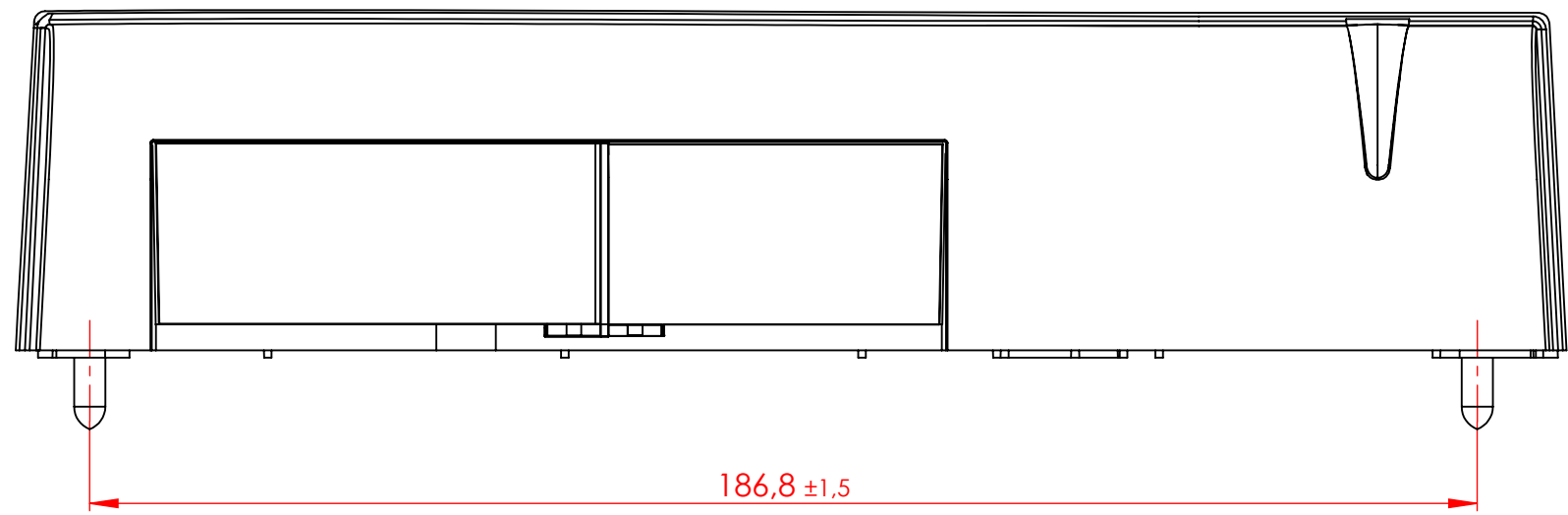


H G F E D C B A

8 7 6 5 4 3 2 1




H G F E D C B A

Part Volume : mm<sup>3</sup> - Part Weight : gr

THIS DRAWING IS THE PROPERTY OF BEA AND MAY NOT BE REPRODUCED WITHOUT WRITTEN AGREEMENT

MODIFICATIONS LIST						Ver :	Rev :
Date :	By :	Description :					
X	X	X			X	X	
X	X	X			X	X	
X	X	X			X	X	
X	X	X			X	X	
X	X	X			X	X	

		<b>PROD. NAME :</b> IXIO - S <b>TITLE :</b> IXIO - S EXTERNAL DIMENSIONS GENERAL TOLERANCE : -	DRAWER : PR DATE : 02/03/2012
MATERIAL : - Objet	TREATMENT : - Ver.Obj Doc. Rev.Doc.	Scale Size	VERIFIED APPROVED PAGE: 1 / 1
A HALMA COMPANY WWW.BEA.BE		41.8499 . 0A . PA . 01	1:1 A2

PDM Project : E240 IRIS SHORT E206 - File Name : 41.8499 IXIO - S EXT DIM.V1