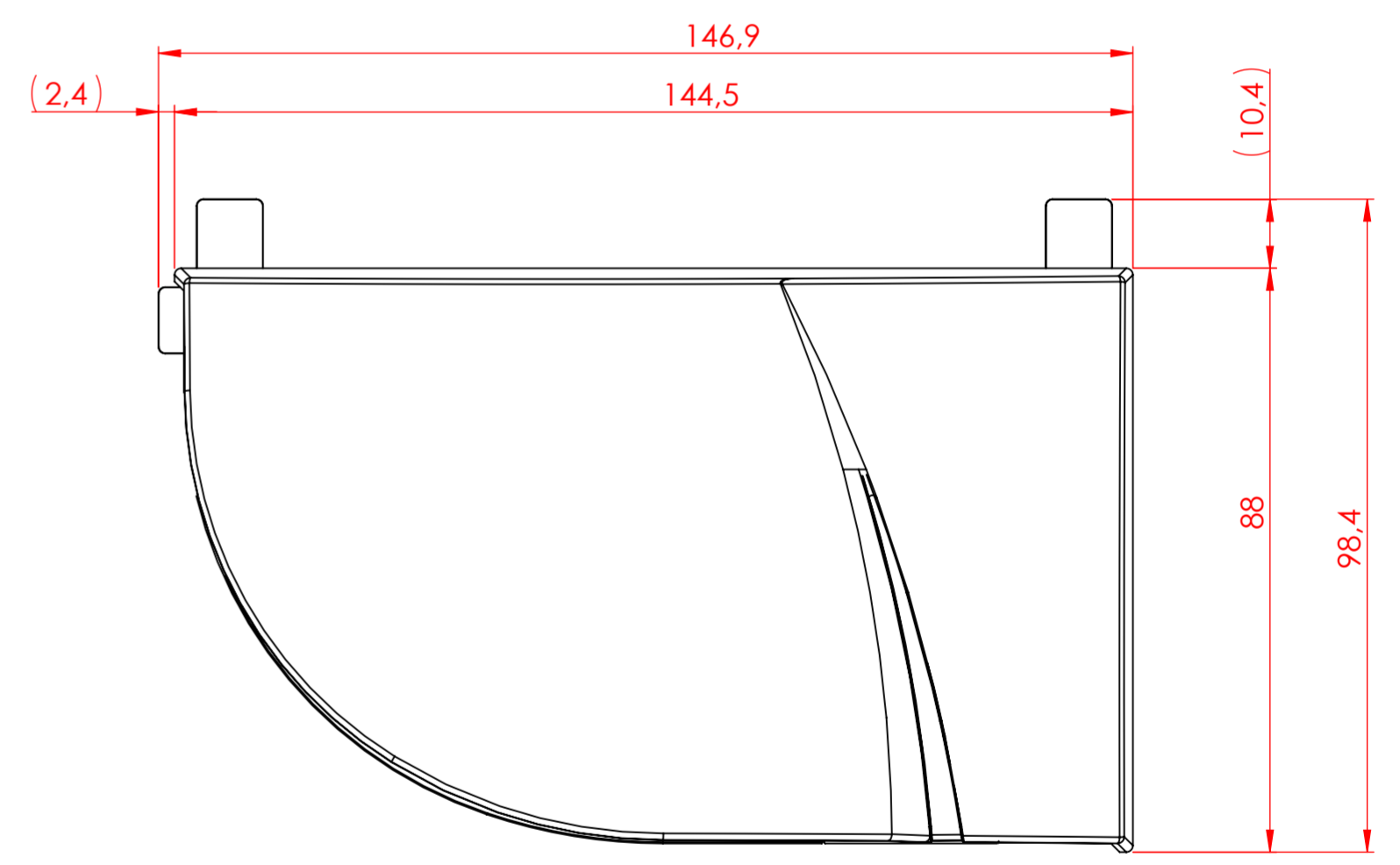
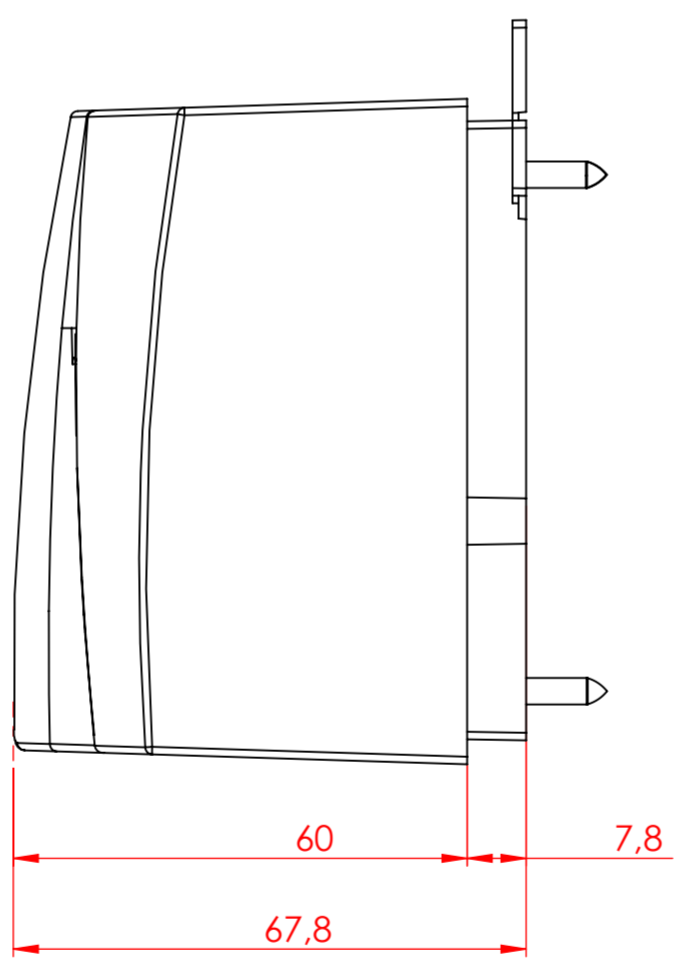
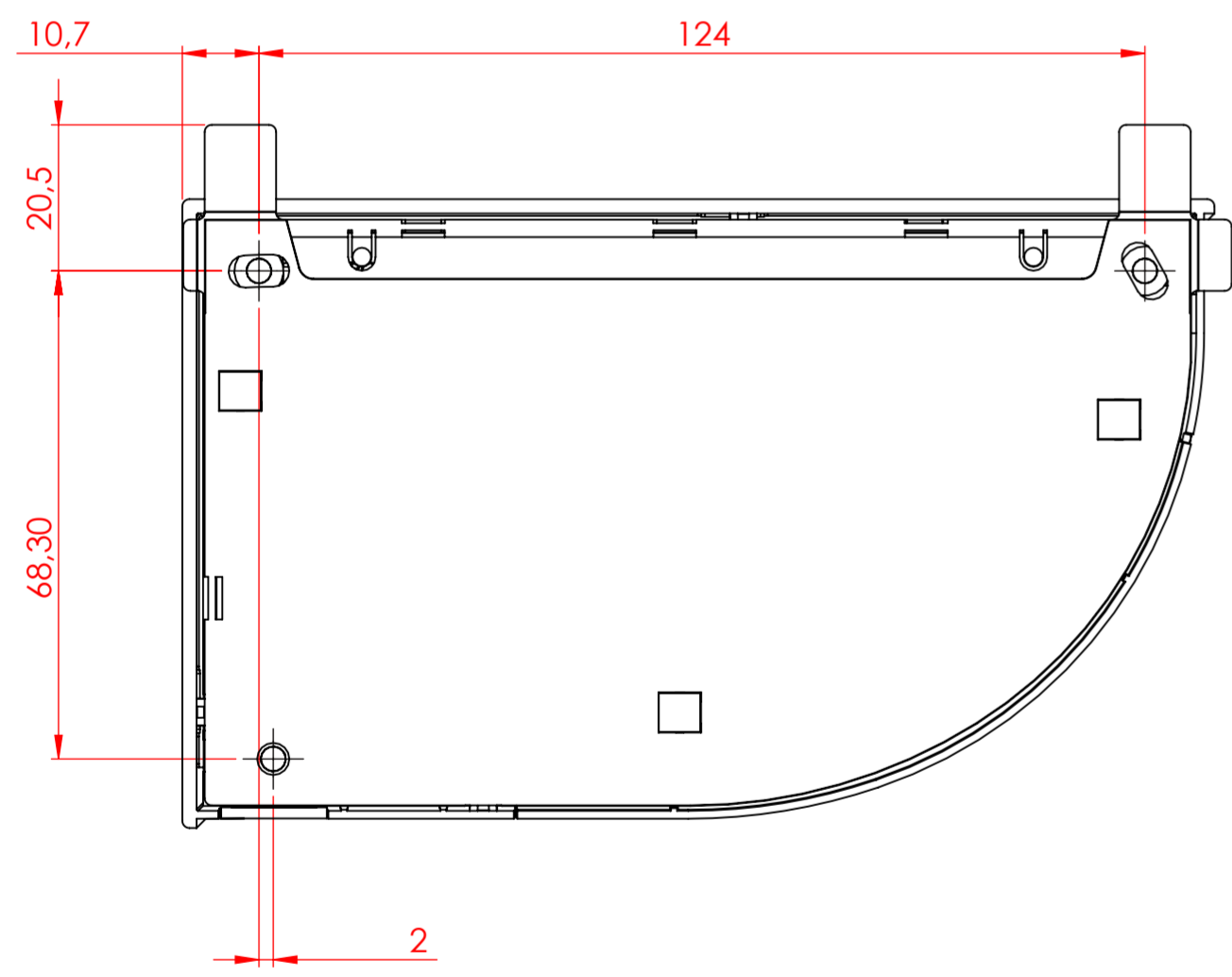
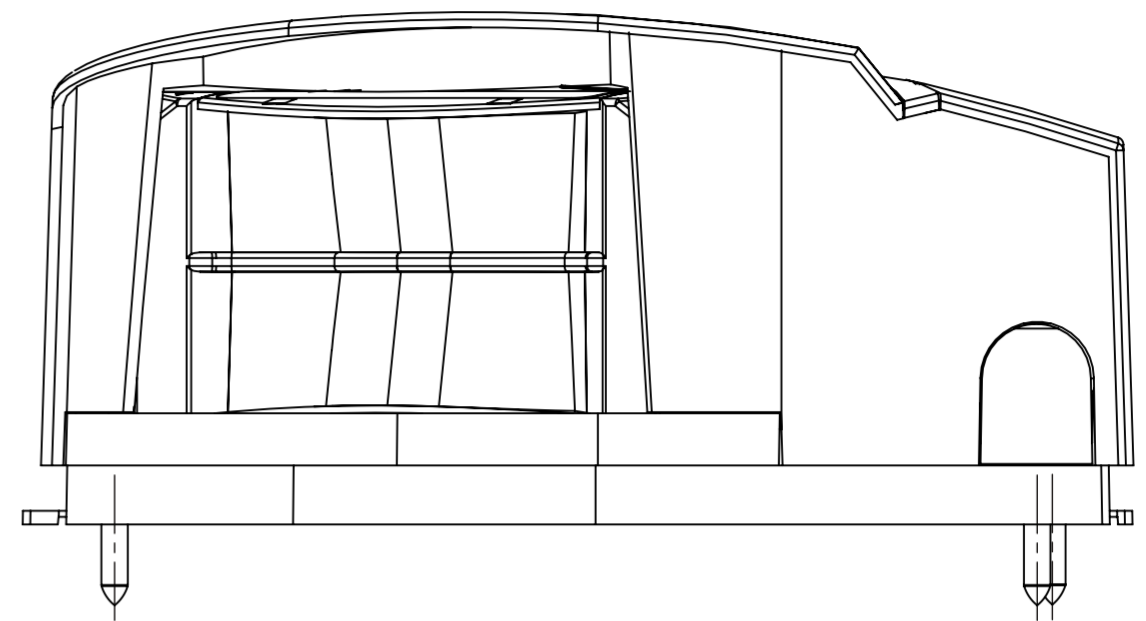
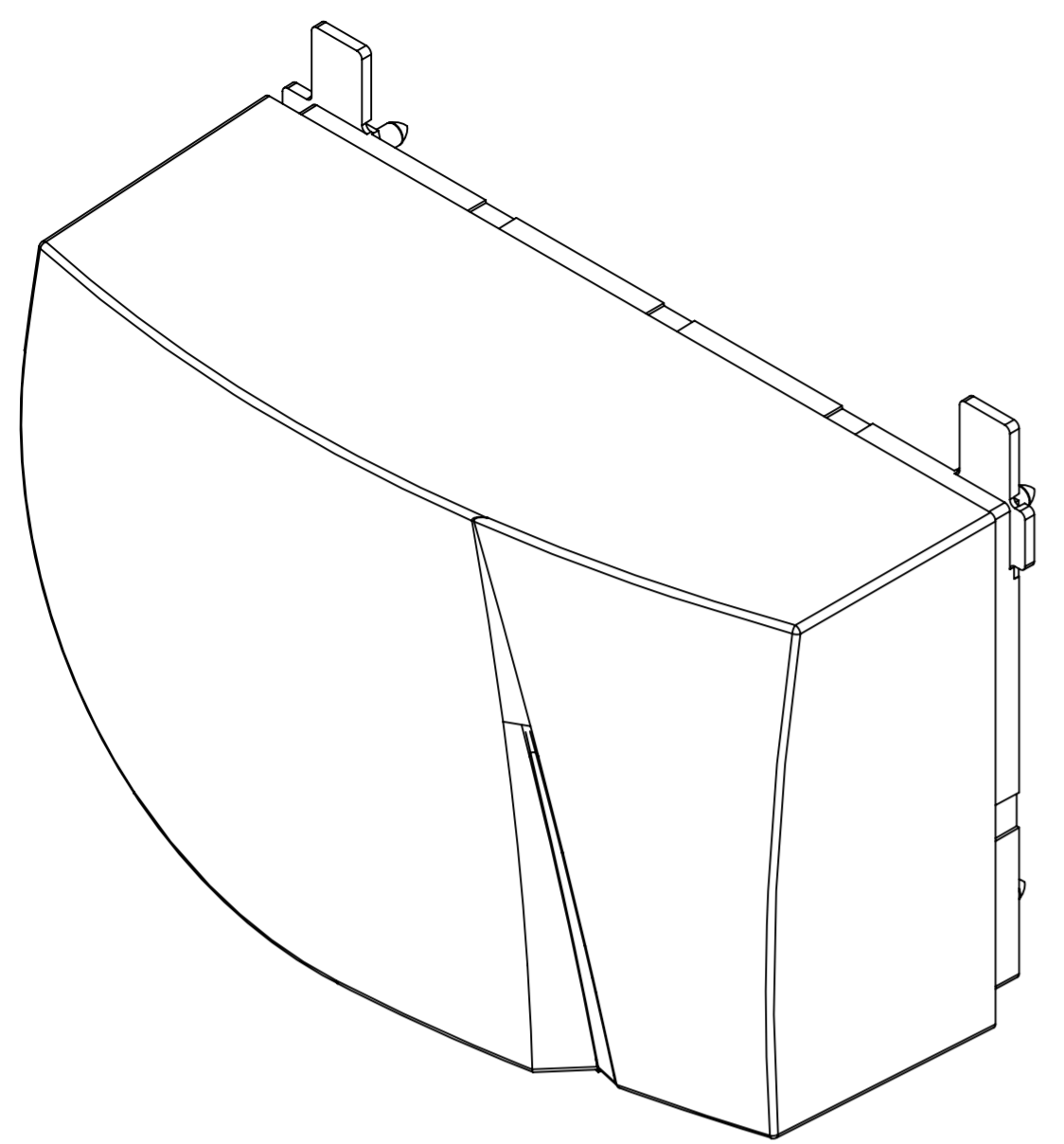


H G F E D C B A

8  
7  
6  
5  
4  
3  
2  
1




Part Volume : mm<sup>3</sup> - Part Weight : gr

THIS DRAWING IS THE PROPERTY OF BEA AND MAY NOT BE REPRODUCED WITHOUT WRITTEN AGREEMENT

**MODIFICATIONS LIST**

Date:	By:	Description:	Ver:	Rev:

 A HALMA COMPANY WWW.BEA.BE	Project Number : E433 - FlatScan SW PLUS Description : RIGHT FLATSCAN SWING PLUS EXTERNAL DIMENSIONS GENERAL TOLERANCE : See note 1 MATERIAL : See note 2 TREATMENT :	DRAWER : PR DATE : 29/03/2019 VERIFIED : APPROVED :
	Part Number : 48.0869 . A . PA . 01 Version : Type : Revision : Scale : 1:1 Size : A2	PAGE: 1 / 1

PDM Project : - File Name : RIGHT FLATSCAN SWING PLUS EXTERNAL DIMENSIONS - 48.0869

H G F E D C B A