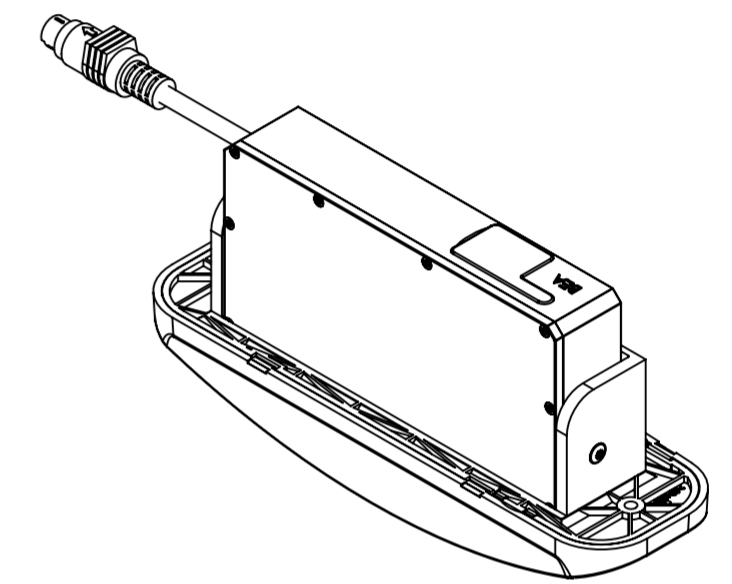
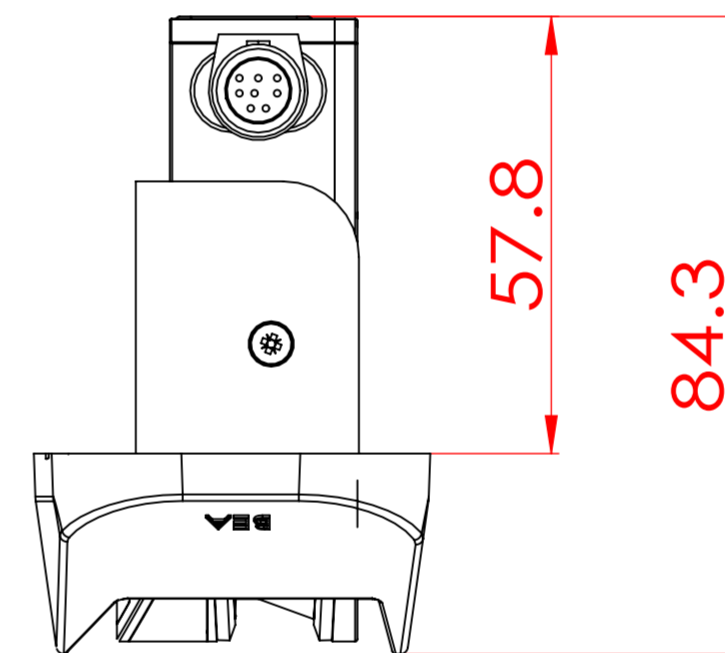
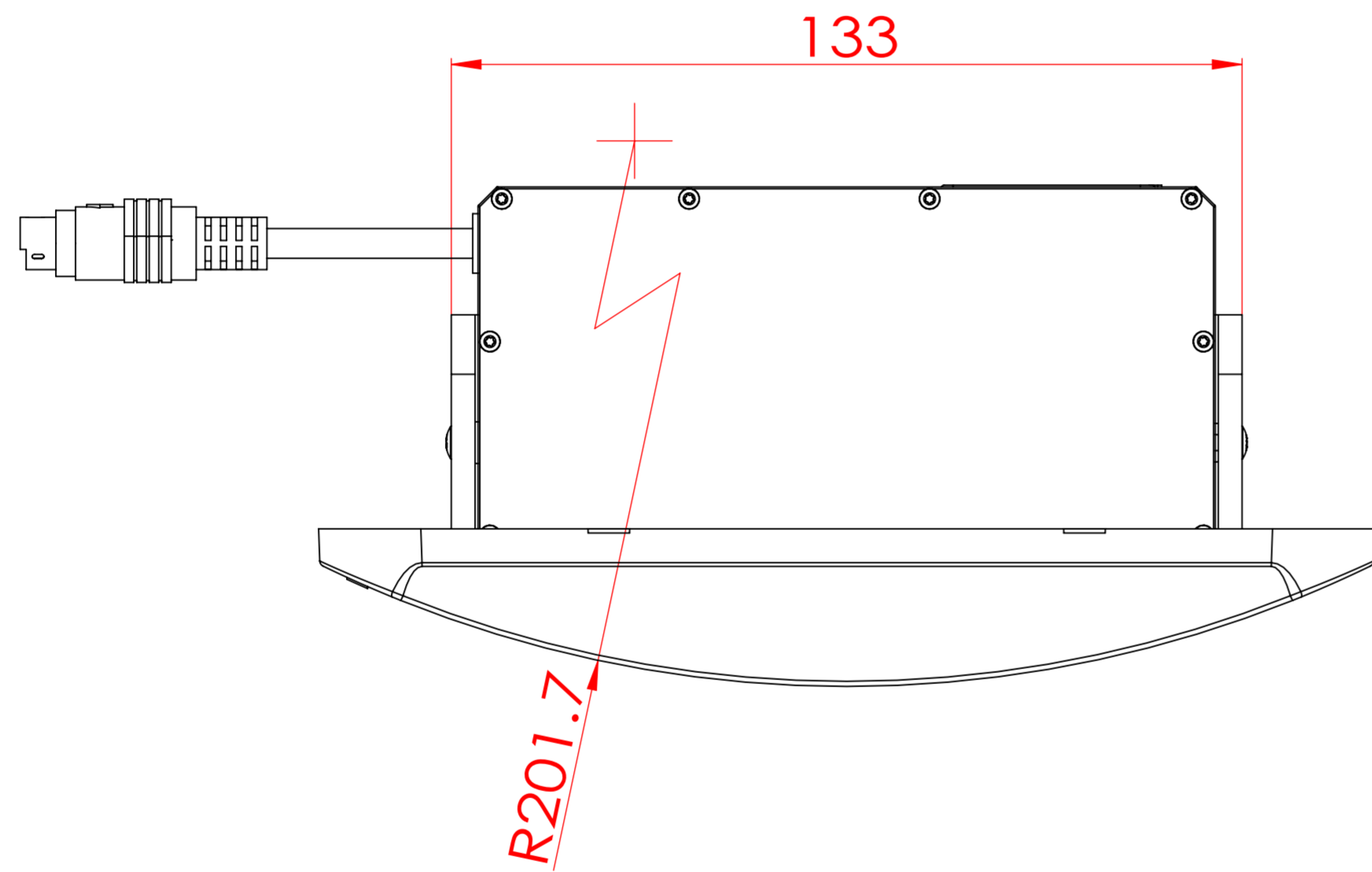
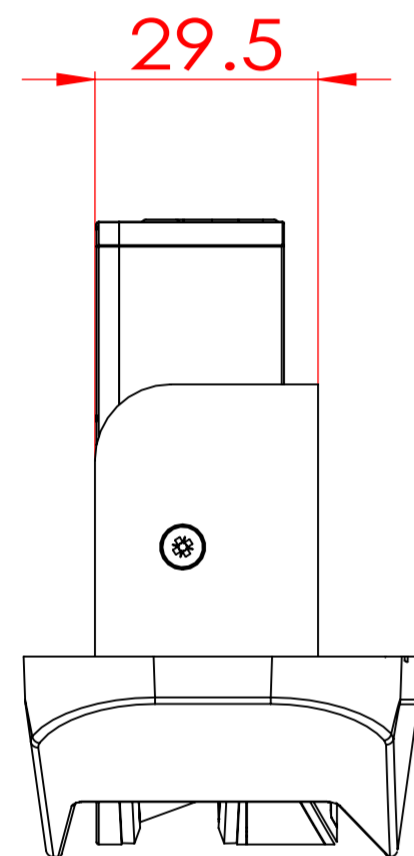
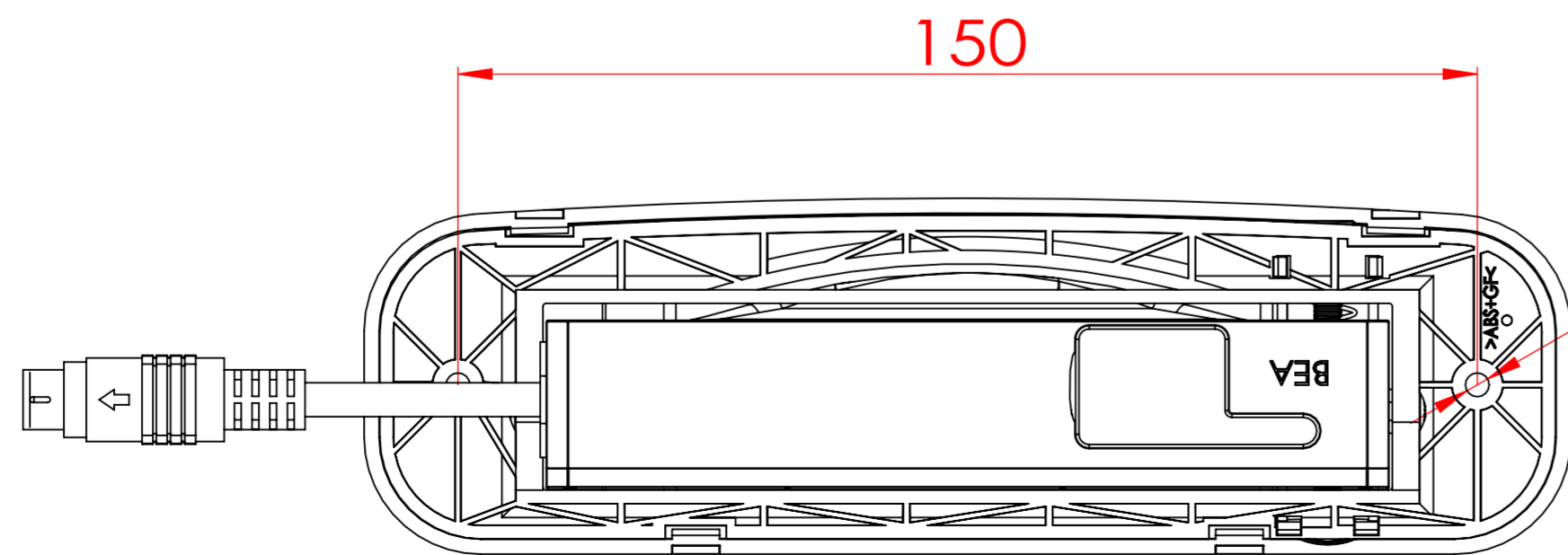


SCALE:1/2



SCALE:1/2



Part Volume : mm³ - Part Weight : gr

THIS DRAWING IS THE PROPERTY OF BEA AND MAY NOT BE REPRODUCED WITHOUT WRITTEN AGREEMENT

MODIFICATIONS LIST					
Date:	By:	Description:	Ver:	Rev:	
-	-	-	-	-	-
-	-	-	-	-	-
-	-	-	-	-	-
-	-	-	-	-	-

<p>BEA A HALMA COMPANY WWW.BEA.BE</p>	PROD. NAME : E371 FLATSCAN RD TITLE : ASSY PRODUCT GENERAL TOLERANCE : - MATERIAL : - TREATMENT : - Objct Ver.Obj Doc. Rev.Doc. Scale Size				DRAWER : WGY DATE : 08/08/16 VERIFIED APPROVED
	1:1 A2				PAGE: 1 / 1

PDM Project : - File Name : 零件#9_FlatScan RD