



LZR®-FLATSCAN SW

The simplest way to ensuring the safety

Our **LZR®-FLATSCAN SW** laser safety sensor provides finger trap protection for swing doors, ensuring maximum safety for users. Compatible with all door types, sizes, and even those with handles, it offers flexible installation options.

The sensor's minimalist design, available in black, silver, or white, integrates discreetly with any door style, delivering both safety and aesthetics without compromise.

The challenges we address



Safety for everyone

Cutting edge laser technology in the dangerous zones



Ease of installation

Adaptable to each kind of door, even with door handles



Aesthetic & discreet

Integrable in all environments



Safety and accessibility

The daily challenge of managing doors is finding the right balance between safety and availability of the doors, wherever they are installed. Airports, hospitals, buildings... The **LZR®-FLATSCAN SW** cover the full leaf, the hinge and the main closing edge with precision to give you real peace of mind.



Coverage of the hinge area

The **LZR®-FLATSCAN SW** is the first sensor covering the hinge area of a door to protect hands and fingers during the closing process.



Reliable in all situations

Inside or outside, on high doors or with door handles, the **LZR®-FLATSCAN SW** performs in all situations. Laser technology guarantees independence of all type of flooring (slatted floors, wire mesh, absorbent carpet, reflective flooring, slippery surface, etc.) and the direct surroundings of the door (handrail, walls, radiators, dustbins, etc.).

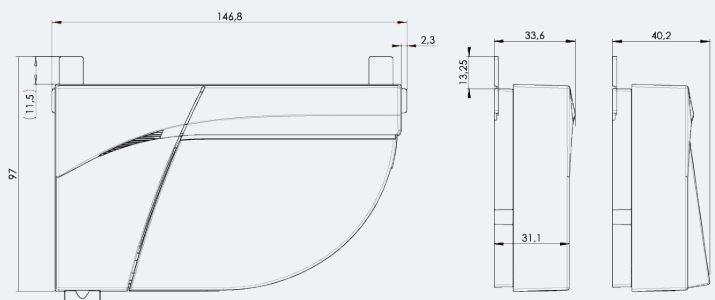


Discreet and aesthetic

Small and available in different colours, it fits onto every kind of automatic swing doors.

THE SWING DOOR SAFETY SENSOR

3 AVAILABLE COLOURS



Perfect match with the LZR®-FLATSCAN 3D SW

The FLATSCAN safety sensors for swing doors can be combined according to your application. Their design is harmonized to be discreet and look good on all types of doors. They also share the same mounting base for easy retrofitting.



DISCLAIMER The information in this document is given for indicative and commercial purposes only. In no event will BEA be responsible for damages of any nature whatsoever resulting from the use of or reliance upon information from this document. Please refer to the user manuals for complete and up-to-date information. BEA has the right without liability to change descriptions and specifications at any time.