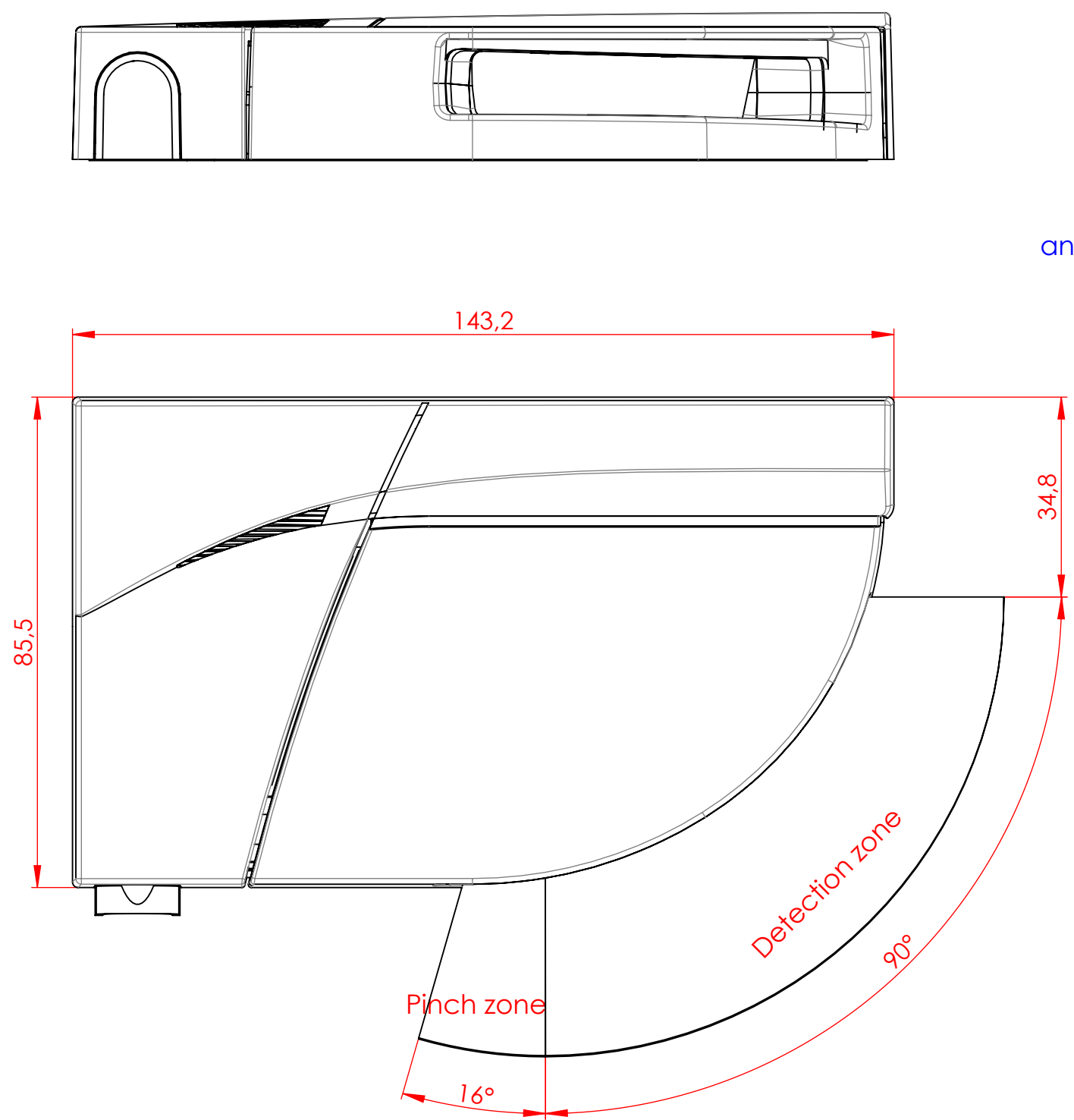


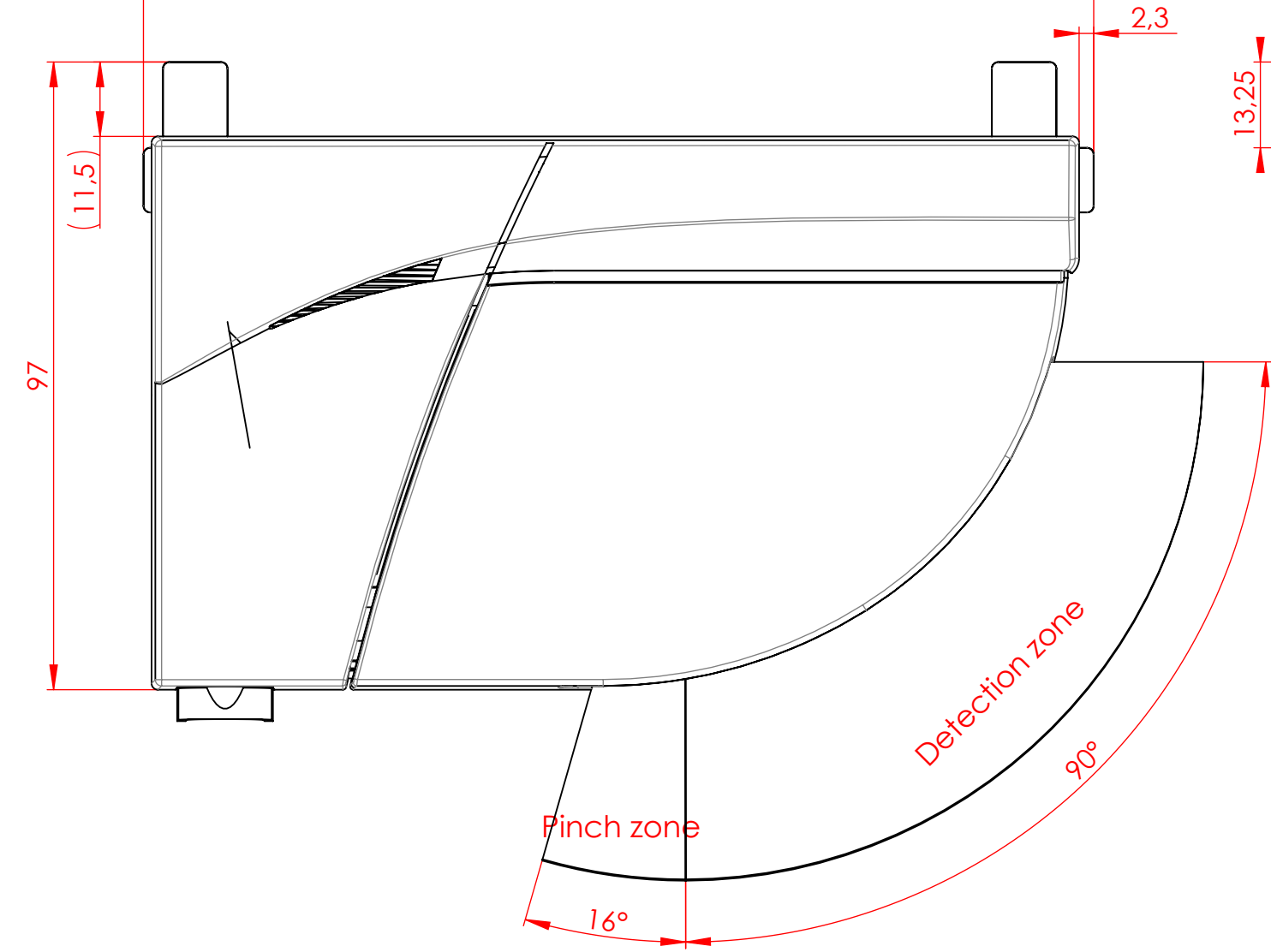
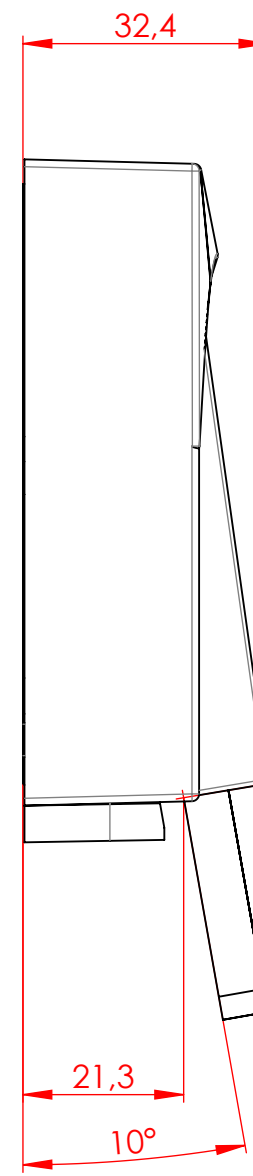
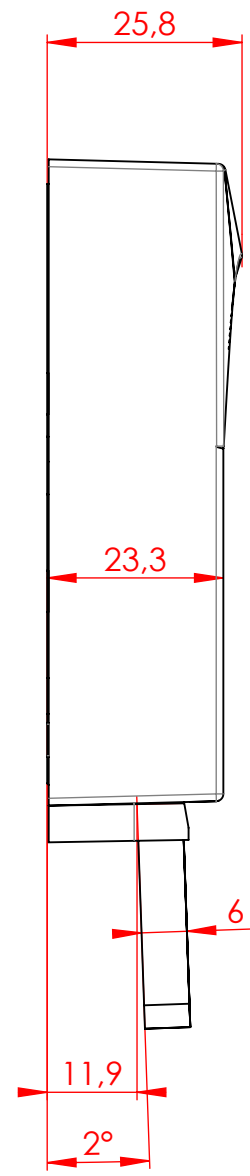
FLATSCAN WITHOUT MOUNTING ACCESSORY

FLATSCAN WITH MOUNTING ACCESSORY



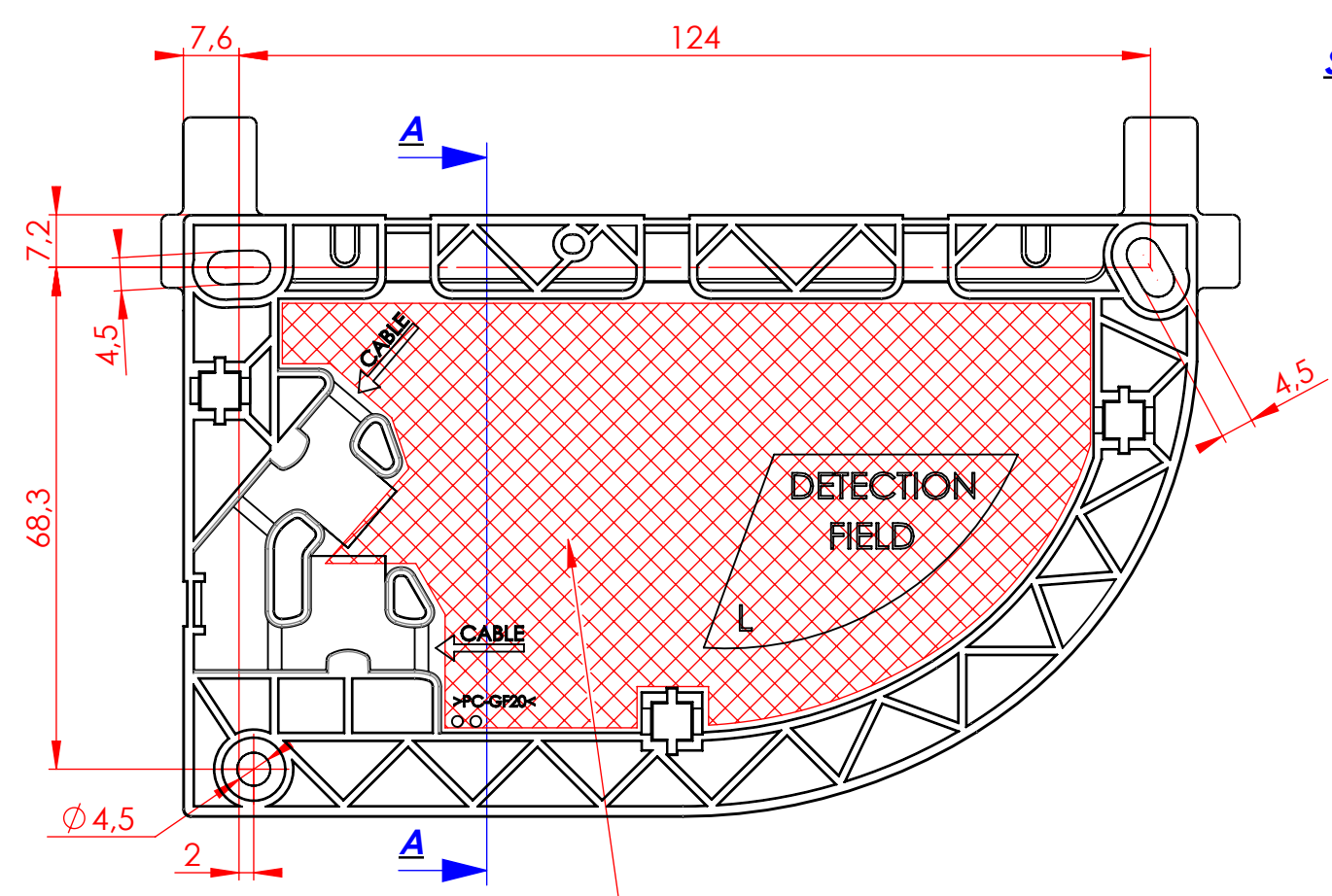
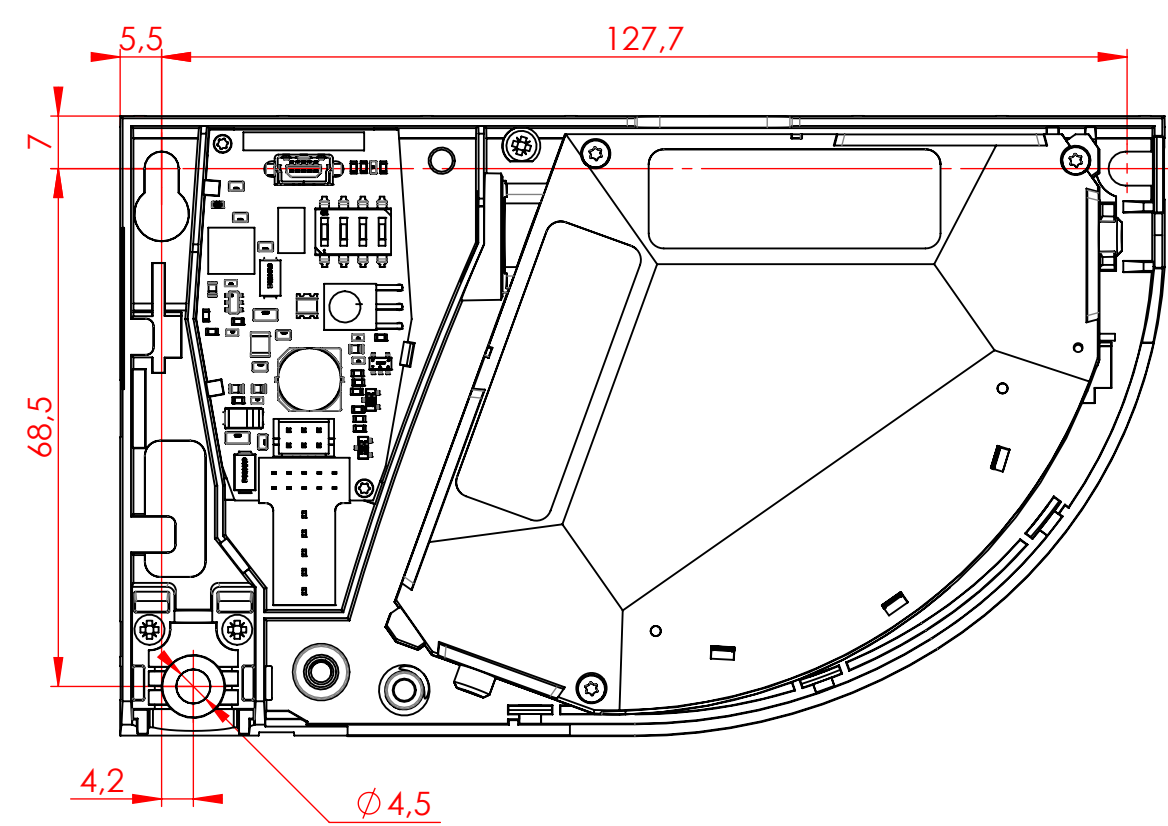
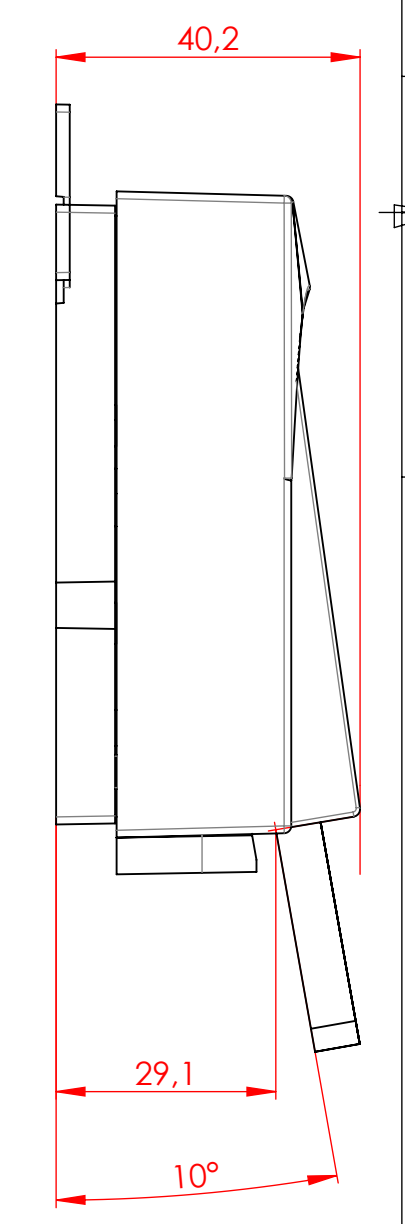
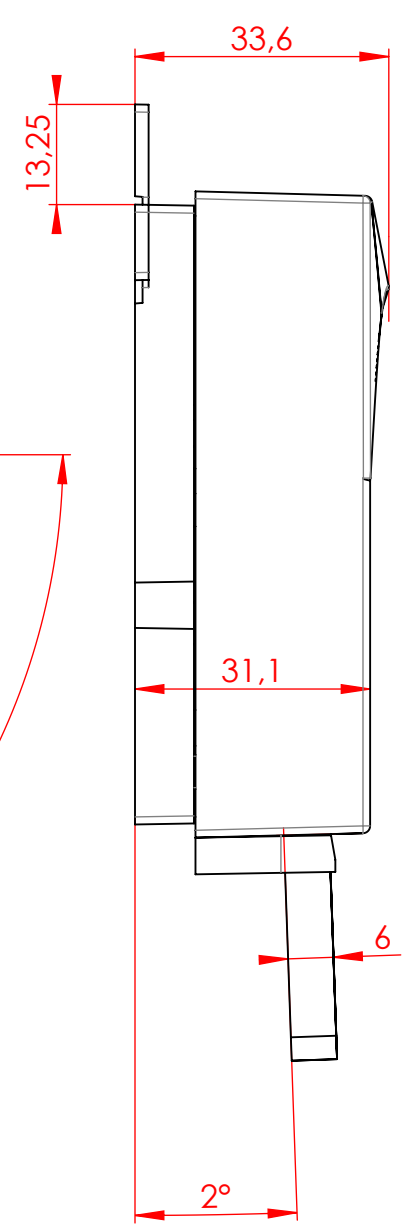
Minimum angular adjustment

Maximum angular adjustment

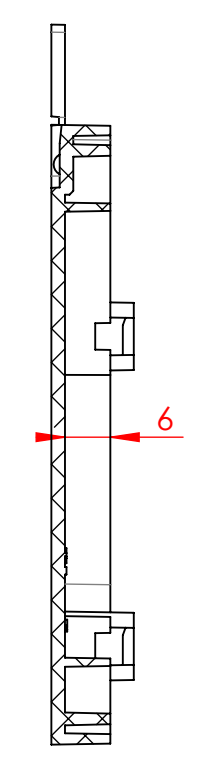


Minimum angular adjustment

Maximum angular adjustment



SECTION A-A



Area for free installation of the sensor if the three holes provided are unusable

Part Volume : mm³ - Part Weight : gr

THIS DRAWING IS THE PROPERTY OF BEA AND MAY NOT BE REPRODUCED WITHOUT WRITTEN AGREEMENT

MODIFICATIONS LIST					
Date:	By:	Description:	Ver:	Rev:	
18/02/16	MRO	Update with new mounting accessory, pinch and detection zone	02	01	
16/06/16	MRO	Modified: Pinch zone 20° > 16° / Positioning studs 6.5 > 11.5	03	01	
09/01/17	MRO	Added: Dimension 13.25 for positioning studs	04	01	
-	-	-	-	-	-

		PROD. NAME : E294 FLATSCAN TITLE : EXTERNAL AND MOUNTING DIMENSIONS GENERAL TOLERANCE : -	DRAWER : MRO DATE : 06/03/15 VERIFIED : APPROVED :
MATERIAL : -	TREATMENT : -	Scale	Size
Objet	Ver.Obj	Doc.	Rev.Doc.
46.0783 . 04 . PM . 01		1:1	A2
PAGE : 1 / 1			

PDM Project : E294 - FlatScan - File Name : 46.0783 FlatScan external and mounting dimensions