



A Halma company



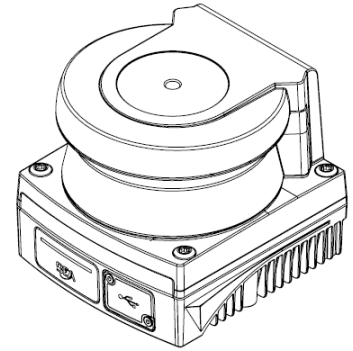
EU DECLARATION OF CONFORMITY

We, the undersigned,

BEA sa
Liège Science Park
Allée des Noisetiers, 5
4031 Angleur
Belgium

declare that this declaration of conformity is issued under our sole responsibility and belongs to the following product(s):

LZR®-VISIOSCAN RD laser measurement device with ethernet communication



The object of the declaration described above is in conformity with the relevant EU legislation:

2014/30/EU – ElectroMagnetic Compatibility Directive
2011/65/EU – RoHS 2 Directive and amendments

The following harmonised standards and other standards and technical specifications have been applied:

EN 61000-6-2:2005 +AC:2005	Electromagnetic compatibility (EMC) - Part 6-2: Generic standards - Immunity for industrial environments
EN 61000-6-3:2007 +A1:2011+AC:2012	Electromagnetic compatibility (EMC) - Part 6-3: Generic standards - Emission standard for residential, commercial and light-industrial environments
EN 60825-1:2014 +A11:2021	Safety of laser products - Part 1: Equipment classification and requirements

Signed for and on behalf of: **BEA sa**


Place and date of issue: **Angleur**

2023-12-08

Name and function: **Pierre Gardier**

Chief Technology officer

Signature:

DocuSigned by:

 572DAD39639E4C5...