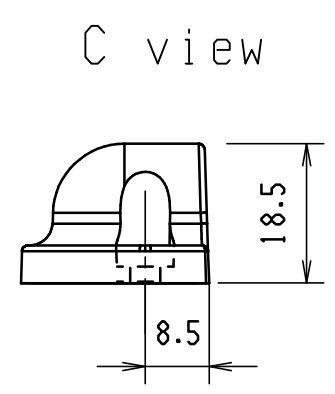
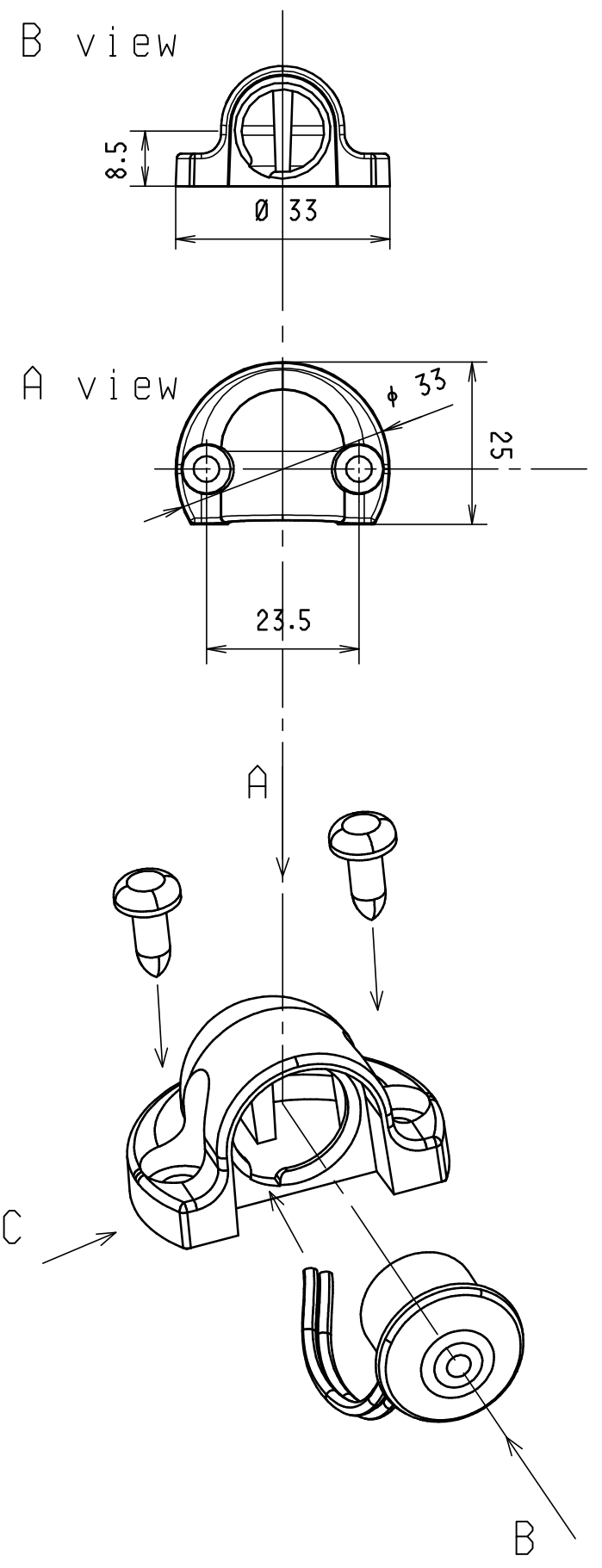
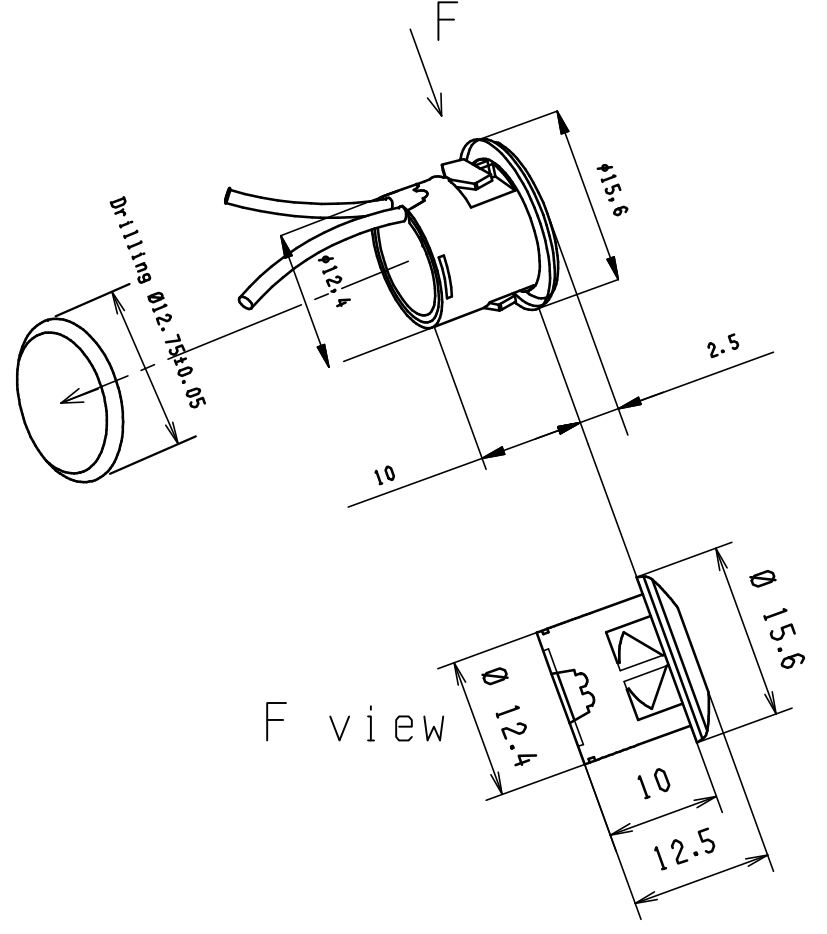


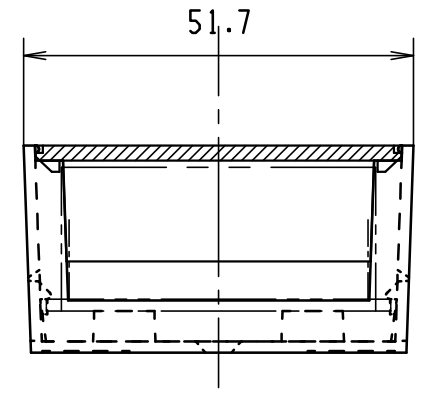
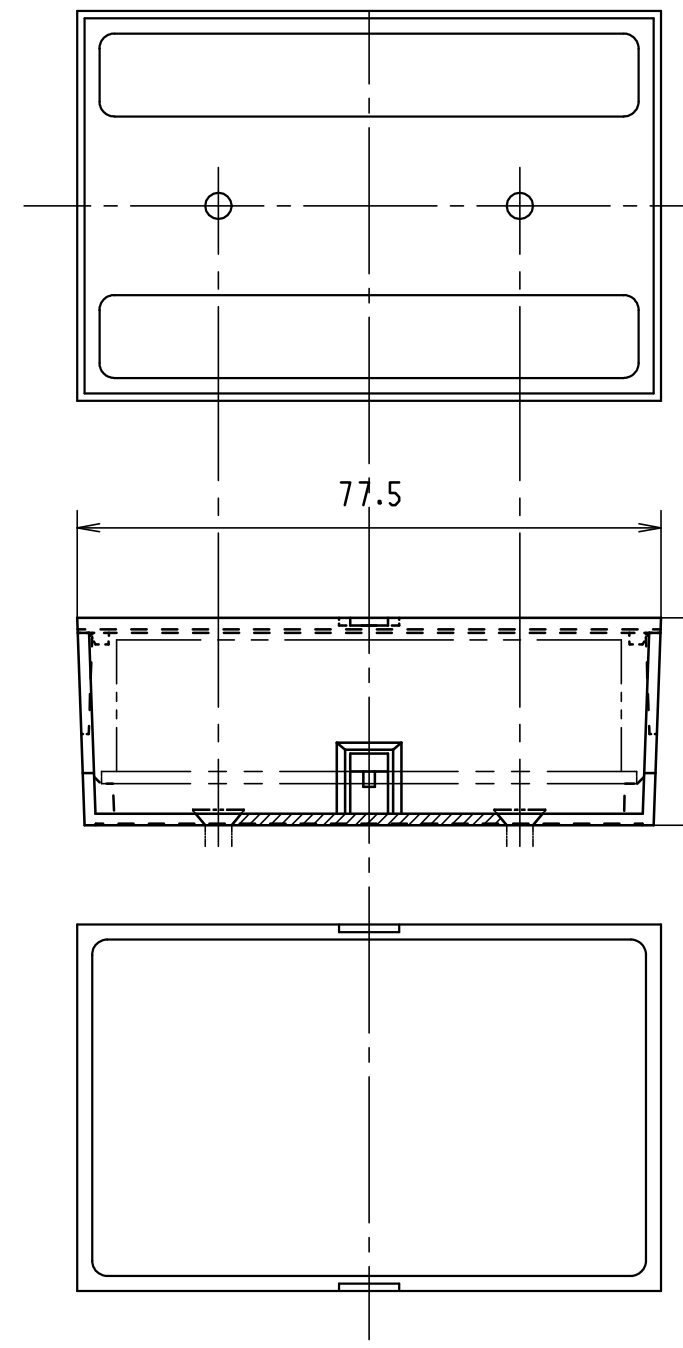
Microcell Mounting Accessory



Microcell Circular Head



	Receiver	Emitter
Wires color :	black and blue	grey and blue



THIS DRAWING IS THE PROPERTY OF BEA AND MAY NOT BE REPRODUCED WITHOUT WRITTEN AGREEMENT

	1 TITLE : MICROCELL Mounting Acc Dimens.		MODIFICATIONS LIST			
	2 DRAWER : ML	DATE : 05/10/2001	DATE :	BY :	DESCRIPTION :	REL. VER.
	3 SC : 1/1	SIZE : A3				
	4 MATERIAL : -					
	5 TREATMENT : -					
	6 GENERAL TOLERANCE : -					
	7 C.A.O. FILE : MCADAM/BER1/E001/MICROCELL_MA_DIM.NA					
DOC. : PA	OBJET : 41.5513	VER. : NA	PAGE : 01/01			