

THIS DRAWING IS THE PROPERTY OF BEA AND MAY NOT BE REPRODUCED WITHOUT WRITTEN AGREEMENT

MODIFICATIONS LIST

Date :	By :	Description :	Ver. :	Rev. :



A Halma company
<https://eu.beasensors.com/en/>

Project number : E410 - Ixio new generation

Description : Orascan mounting template

General tolerance : +/- 0,3 mm

Material : -

Treatment : -

Part number.Version.Type.Revision

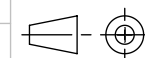
Scale

Size

46.1234 . 00 . PM . 01

1:1

A4



Drawer : BLE

Date : 18/03/2024

Verified Approved

Page : 1/2

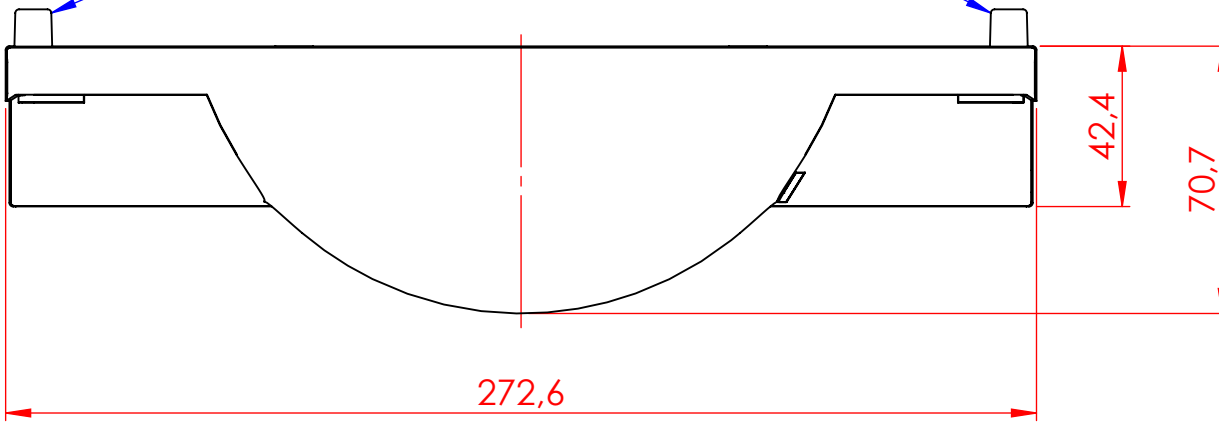
4

3

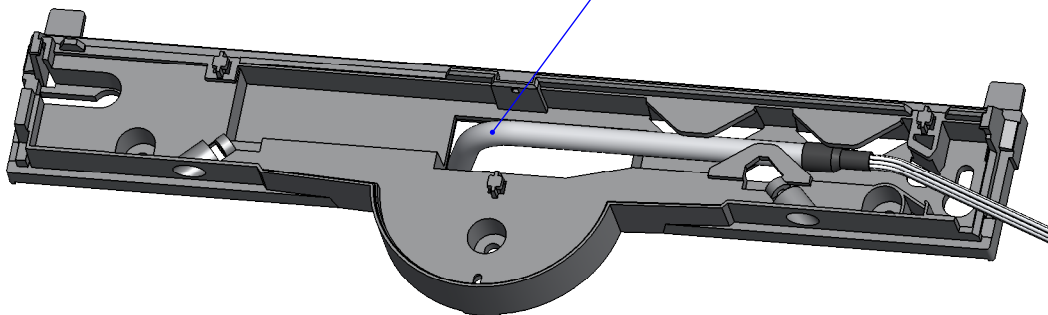
2

1

These 2 tabs can be removed by hand



Cable routing



THIS DRAWING IS THE PROPERTY OF BEA AND MAY NOT BE REPRODUCED WITHOUT WRITTEN AGREEMENT

MODIFICATIONS LIST

<i>Date :</i>	<i>By :</i>	<i>Description :</i>	<i>Ver :</i>	<i>Rev :</i>



A Halma company
<https://eu.beasensors.com/en/>

Project number : E410 - Ixio new generation

Description : Orascan mounting template

General tolerance : +/- 0,5 mm

Material : -

Treatment : -

Part number.Version.Type.Revision

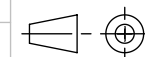
Scale

Size

46.1234 . 00 . PM . 01

1:2

A4



Drawer : BLE

Date : 18/03/2024

Verified Approved

Page : 2/2

4

3

2

1

D

D

C

C

B

B

A

A