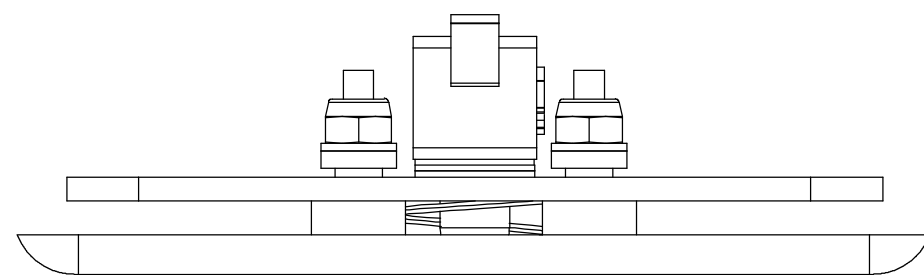
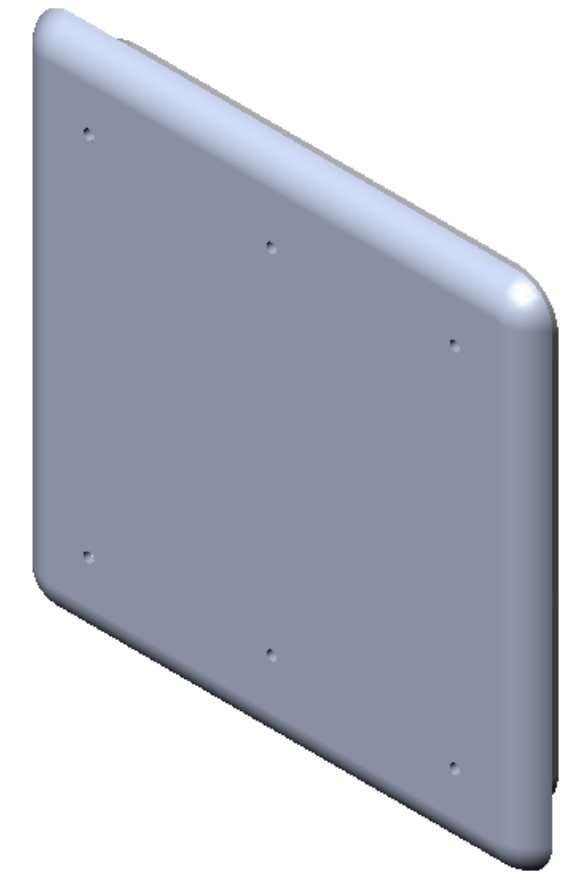
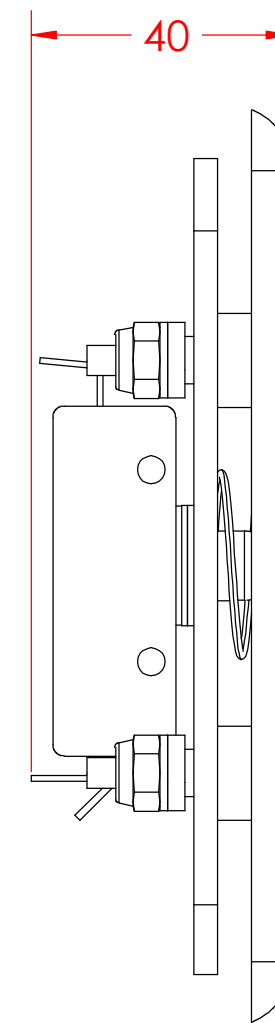
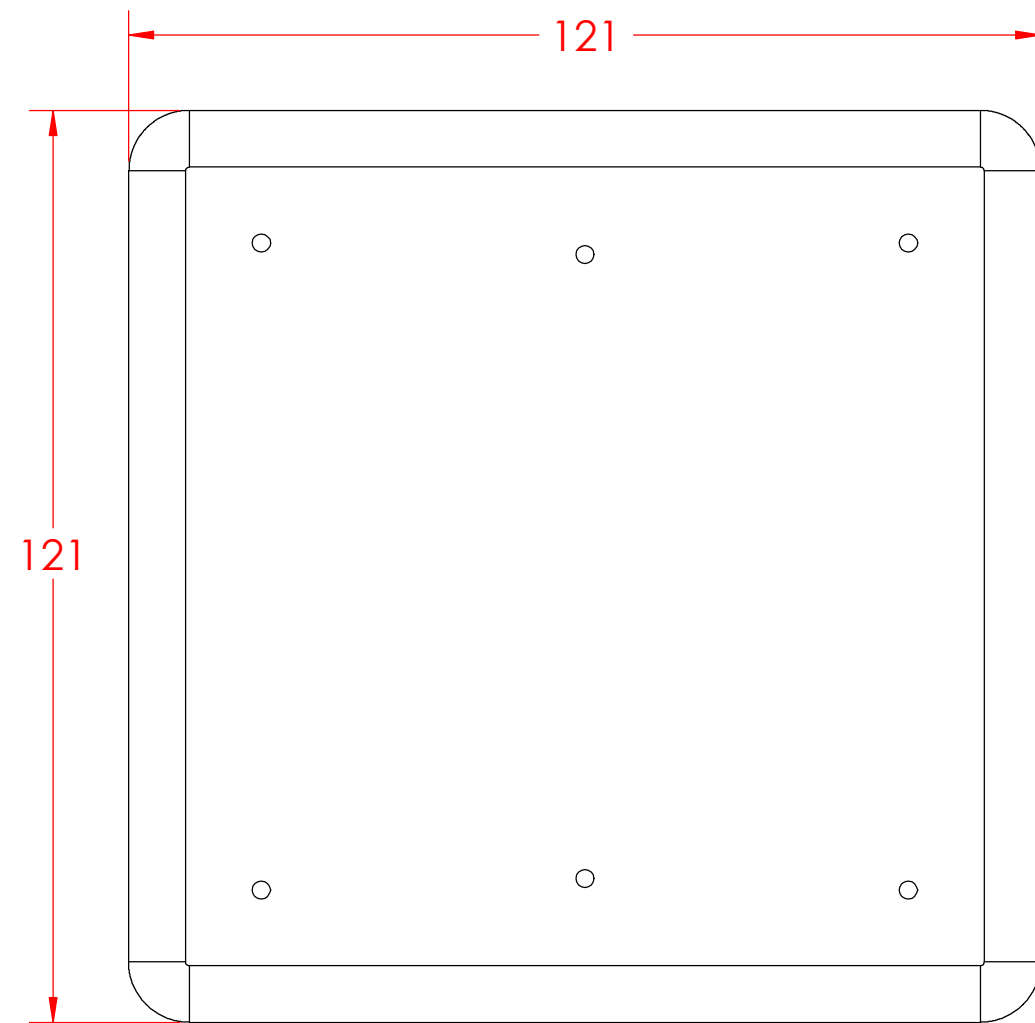


H G F E D C B A


NOTE 1 : All dimensions must be read in millimeters



Part Volume : mm³ - Part Weight : gr

THIS DRAWING IS THE PROPERTY OF BEA AND MAY NOT BE REPRODUCED WITHOUT WRITTEN AGREEMENT

MODIFICATIONS LIST				
Date :	By :	Description :	Ver.:	Rev.:
-	-	-	-	-
-	-	-	-	-
-	-	-	-	-
-	-	-	-	-
-	-	-	-	-

 A HALMA COMPANY WWW.BEAINC.COM	PROD. NAME : PP PBS_DIM TITLE : Product Drawing GENERAL TOLERANCE : - MATERIAL : -				TREATEMENT : - Scale : NTS Size : B		DRAWER : AG DATE : 10/16/12 VERIFIED : APPROVED :	
	Objet Ver.Obj Doc. Rev.Doc.				Scale Size		PAGE: 1 / 1	
	- . - . - . -				NTS B		PAGE: 1 / 1	

H G F E D C B A

PDM Project : - File Name : PP PBS_DIM