

SEAGLE ONE & TWO

**High performance
universal opening
for all automatic doors**



Design

- compact size
- high ease of fitting
- sophisticated design to answer to the most exacting architect's requirements
- vandal-proof thanks to a robust ABS cover and a special housing fixing system

Technology

- planar antenna in K-band that ensures high precision of the sensing field dimensions
- digital electronics controlled by a powerful microprocessor with high filtering capabilities

Detection

- very wide sensing field for greater user comfort and very good side detection due to the oval sensing field shape
- as option, 6 elements antenna for narrow sensing field

Adjustements for universal use

- 3 D antenna adjustment : the Seagle One & Two antenna can be oriented along two axes :
 - frontal adjustment from 0° to 90° : this means you can place the Eagle sensor back to the ceiling without any further accessory
 - lateral adjustment from 30° left to 30° right : Eagle can be placed on the side of the door with the option of centring the field in front of the door
- high immunity setting in case of difficult situations
- mounting height up to 3 meters

■ Microwave sensor controlled by microprocessor

Digital motion sensor : the most economical all-round solution for opening of all types of automatic doors (sliding, swinging, revolving, curved...).

The sensor adapts itself to every application without the need of additional accessories



Seagle One Seagle Two



BEA

We open up New Horizons

HALMA GROUP
COMPANY



Description

- 1 Terminal block
- 2 LED
- 3 Antenna bracket front adjustment
- 4 Microprocessor
- 5 Potentiometer
- 6 Dip-switches
- 7 Planar antenna
- 8 Ring for lateral adjustment

Accessories

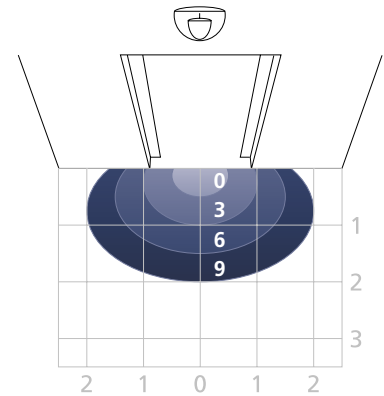
- 1 **ECA** : Accessory for mounting in false ceiling
- 2 **ERA** : Rain cover accessory
- 3 **EBA** : another mounting possibility



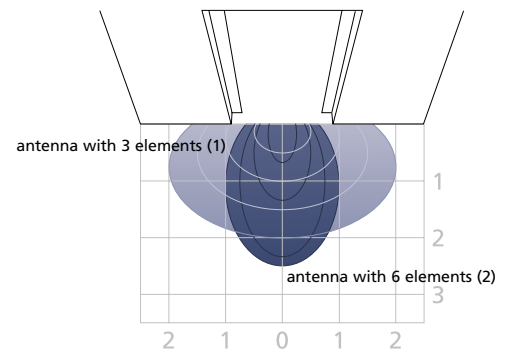
Technical specifications

Technology	microwave and microprocessor
Transmitter frequency	24.175 GHz
Transmitter radiated power	< 20 dBm EIRP
Transmitter power density	< 5 mW/cm ²
Mounting height	3 m maximum
Tilt angles	0° to 90° vertical and - 30° to + 30° lateral
Detection area (standard mounting height = 2.2 m)	4 m (W) x 2 m (D)
Detection mode	motion
Minimum speed	5 cm/s (measured in the sensor axis)
Supply voltage	12V to 24V DC +30% / -10%
Mains frequency	50 to 60 Hz
Power consumption	< 2W (VA)
Output relay (free of potential change-over contact)	
Max. contact voltage	42V AC - 60V DC
Max. contact current	1A (resistive)
Max. switching power	30W (DC) / 60VA (AC)
Hold time	0.5 s
Temperature range	-20°C to +55°C
Degree of protection	IP54
Norm Conformity	R&TTE 1999/5/EC; EMC 89/336/EEC
Material	ABS
Color of housing	anthracite grey, aluminium finish or white
Dimensions	120 mm (W) x 80 mm (H) x 50 mm (D)
Weight	0.215 kg
Length of cable	2.5 m

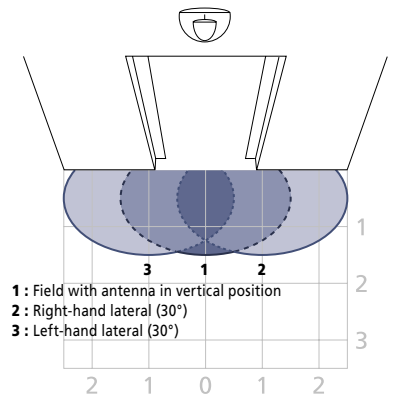
Sensing fields



Sensing fields in accordance with sensitivity setting
Mounting height: 2.20 m



Sensing fields in accordance with type of antenna and sensitivity
Mounting height: 2.20 m



Sensing fields in accordance with lateral position of antenna
Mounting height: 2.20 m

Application



Subject to modification

