

SPARROW

OPENING SENSOR FOR INDUSTRIAL DOORS

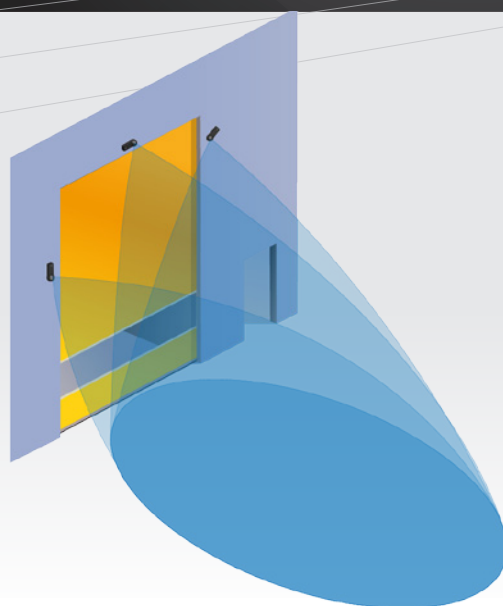
Commercial sheet



THE BASIC ACTIVATOR

DESCRIPTION


The **SPARROW** is aimed to detect people and vehicles approaching the door indistinctly. Its unidirectional detection mode allows the sensor to optimize the door operation.



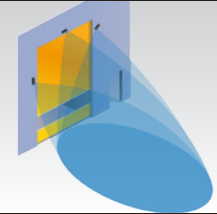
PERFORMANCE

- Detection of people and vehicles.
- Unidirectional detection for a rational door closing management and energy savings at the end of the day.
- 10 detection areas available offering an area from 1 m (D) x 2 m (L) to 6 m (D) x 10 m (L).
- Great product flexibility thanks to a rotating angle from -120° to $+120^{\circ}$


APPLICATIONS



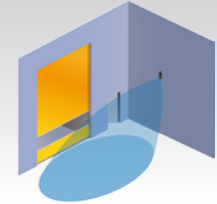
Lateral and vertical antenna adjustment



Very flexible installation

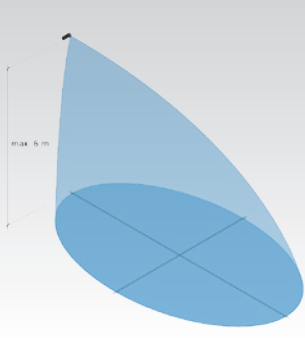


Boost function to activate for mounting height from 4.5 to 6 m



Mounting possible on walls close to the door

DETECTION AREA



Maximum detection area of 6 m x 10 m @ 6 m mounting height

APPLICATIONS

- Motion sensor for industrial doors of any type

DESIGNED FOR INDUSTRIAL ENVIRONMENTS

- Rotating positioning: - 120° to + 120° in reference with the mounting central axis.
- Mounting height till 6 m.
- Parameter adjustment with remote control or push-buttons.
- Adaptation to industrial environment (IP64).

EASE OF INSTALLATION

- Simple installation (plug and play).

TECHNICAL SPECIFICATIONS

Technology	Microwave doppler radar
Transmitter frequency	24,150 GHz
Transmitter radiated power	< 20 dBm EIRP
Transmitter power density	< 5 mW/cm ²
Detection mode	Motion
Detection field	Max. 6 m x 10 m
Tilt angles	0° to 90° vertical; -120° to +120° lateral
Output	relay (free of potential change-over contact)
Max. contact voltage	42V AC - 60V DC
Max. contact current	1A (resistive)
Max. switching power	30W (DC) / 60VA (AC)
Min. detection speed	5 cm/s (measured in the sensor axis)
LED Signal	Blue
Mains frequency	50 to 60 Hz
Supply voltage	12V to 24V AC ±10% 12V to 24V DC +30% / -10%
Max power consumption	< 2 W
Mounting height	from 2 m to 6 m
Dimensions	140 mm (L) x 55 mm (H) x 57 mm (W)
Material	ABS
Colour	Grey
Weight	165 g
Cable length	10 m
Temperature range	from -30°C to +60°C
Degree of protection	IP64
Norm conformity	R&TTE 1999/5/EC; EMC 2004/108/EC

Specifications are subject to changes without prior notice.

DISCLAIMER This document as well as all other enclosed documents (quotation / specification / other) are provided «as is» without warranties of any kind, either expressed or implied, including but not limited to the implied warranties of merchantability, fitness for a particular purpose, or non-infringement. / Information is supplied upon the condition that the persons receiving it will make their own determination as to its suitability for their purposes prior to use. In no event will BEA be responsible for damages of any nature whatsoever resulting from the use of or reliance upon information from this document or the products to which the information refers. / BEA has the right without liability to change descriptions and specifications at any time. / Prices, shipping and availability are subject to change without prior notice.

