

VIO-M

OPENING SENSOR FOR ALL TYPES OF AUTOMATIC DOORS

Commercial sheet



THE ACTIVATION SOLUTION OF THE VIO RANGE

DESCRIPTION

The **VIO-M** uses radar technology to detect movement and activate all types of doors in whatever environment they may be. Thanks to its unidirectional sensing method, **VIO-M1** offers a stability and reliability second to none. The unidirectional radar enables energy savings to be made.


FEATURES

- Due to the unidirectionality, the duration of the door opening cycle is shorter, which reduces heat loss in the building and saves energy. This also optimises the "airlock" function.
- Easy configuration with to DIP switches and potentiometer.
- Compact design in harmony with the VIO range.



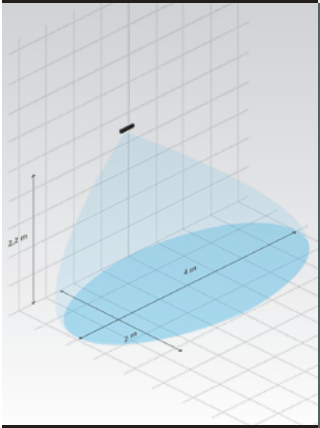
VIO-M ■

APPLICATIONS




Single-leaf swing doors

DETECTION RANGE




Detection area wide 4 m x 2 m @ 2.2 m

VIO RANGE



VIO-D
Sensor with combined radar and infrared for opening and safety of sliding doors.



VIO-S
Presence sensor with infrared technology for the safety of sliding doors.

APPLICATIONS

- Activation of linear, telescopic, curved, swinging, turning and folding automatic sliding doors.

EASE OF INSTALLATION

- Configuration of basic functions with DIP-switch.
- Lateral orientation from -15° to +15° for the radar antenna.
- Plug, push & go.

VERSIONS

- **VIO-M1** : unidirectional opening sensor

ACCESSORY



Mounting accessory

Mounting in ceiling

TECHNICAL SPECIFICATIONS

Detection mode	Motion
Technology	Microwave doppler radar
Transmitter frequency	24.150 GHz
Transmitter radiated power	< 20 dBm EIRP
Transmitter power density	< 5 mW/cm ²
Min. detection speed	5 cm/s (measured in sensor axis)
Supply voltage*	12 V to 24 V AC ±10% (50 - 60 Hz); 12 V to 24 V DC +30% / -10%
Max power consumption	< 2 W
Output*	Relay (free of potential change-over contact)
Max. contact voltage	42 V DC/AC peak
Max. contact current	1 A (resistive)
Max. switching power	15 W
Mounting height	from 1.8 m to 3 m
Temperature range	-20°C to +55°C
Degree of protection	IP54 (IEC/EN 60529)
Dimensions	180 mm (L) x 58 mm (H) x 50 mm (W)
Tilt angles	15° to 45° vertical; -15° to +15° en lateral
Material	ABS
Weight	120 g
Cable length	2.5 m
Applicable directives	RED 2014/53/EU

Specifications are subject to change without prior notice.

** External electrical sources must be within specified voltages, max 15W and ensure double insulation from primary voltages.*

DISCLAIMER This document as well as all other enclosed documents (quotation / specification / other) are provided «as is» without warranties of any kind, either expressed or implied, including but not limited to the implied warranties of merchantability, fitness for a particular purpose, or non-infringement. / Information is supplied upon the condition that the persons receiving it will make their own determination as to its suitability for their purposes prior to use. In no event will BEA be responsible for damages of any nature whatsoever resulting from the use of or reliance upon information from this document or the products to which the information refers. / BEA has the right without liability to change descriptions and specifications at any time. / Prices, shipping and availability are subject to change without prior notice.

