



## LZR®-FLATSCAN 3D SW

### The ultimate swing door safety solution

Revolutionize your swing door safety with the full capabilities of a LZR®-FLATSCAN SW, enhanced with innovative features.

One sensor safeguard the entire door leaf : covering the hinge, the edge and the leaf area. You don't have access to danger anymore.

It anticipate any risks by ensuring a scan of the entire passage zone between the leaves and improve the energy efficiency of your building by closing your door sooner with

### *The challenges we address*



**No more accidents**  
thanks to maximum  
safety coverage



**Energy savings**  
by closing sooner



**More accessibility**  
through touchless  
activation



### No more accidents

Highly frequented doors need maximum safety. Especially when the people around the door are fragile. The LZR®-FLATSCAN 3D SW takes safety to the next level. Any risk of contact is avoided thanks to the volumetric coverage in front of the door. The door stays open the time needed. And close directly when the area is free.



### High comfort for all users

If a person or an object is present in the pathway, the door does not make any sudden movements thanks to the 4 laser curtains. Any risk of contact with the door is prevented whatever type of swing door.



### Touchless & hygienic activation

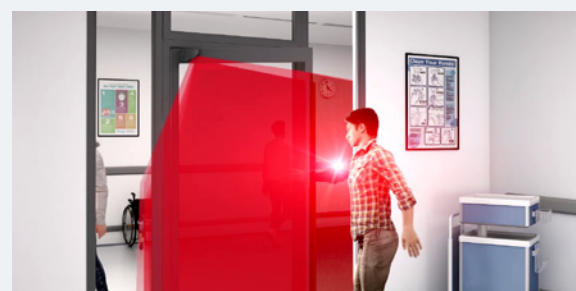
In areas where hygiene and control of air leakage are essential, **reducing touchpoints** to eliminate contamination is crucial. The LZR®-FLATSCAN 3D SW provides up to 2 virtual opening buttons for **contactless on-demand opening** of the door, offering both hygienic activation and complete safety.



### Versatile & low-maintenance solution

The LZR®-FLATSCAN 3D SW can be installed on **any type and size of swing door, indoors and outdoors**. Harsh weather conditions and changes in the surroundings have no influence on the sensor's good functioning. Tiles, metallic mats or rubber carpets? No problem, the we **can handle any type of flooring**.

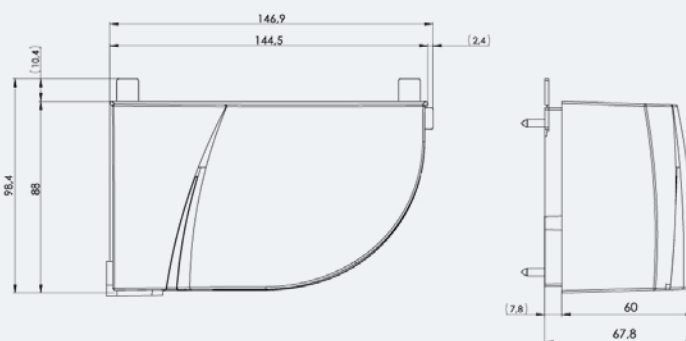
## AVOIDING ALL RISKS, IN ALL ENVIRONEMENT



### A door totally secure and available whenever you

With a kit of LZR®-FLATSCAN 3D SW you protect both sides of a single swing door. The leaf, the hinge and also the edge zone are covered regarding the EN16005. No compromise between conformity, safety and availability of the doors.

### 3 AVAILABLE COLOURS



**DISCLAIMER** The information in this document is given for indicative and commercial purposes only. In no event will BEA be responsible for damages of any nature whatsoever resulting from the use of or reliance upon information from this document. Please refer to the user manuals for complete and up-to-date information. BEA has the right without liability to change descriptions and specifications at any time.