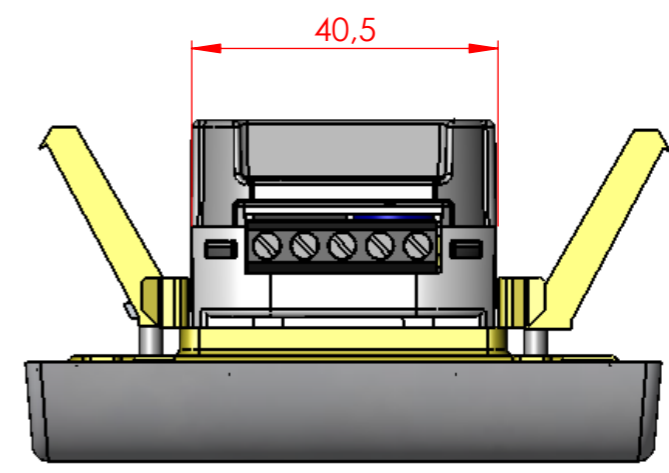
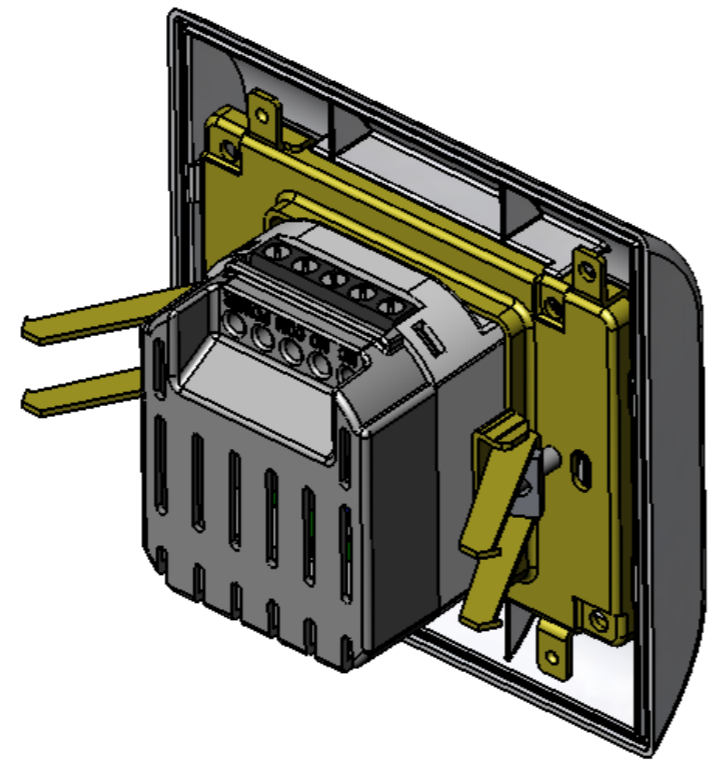
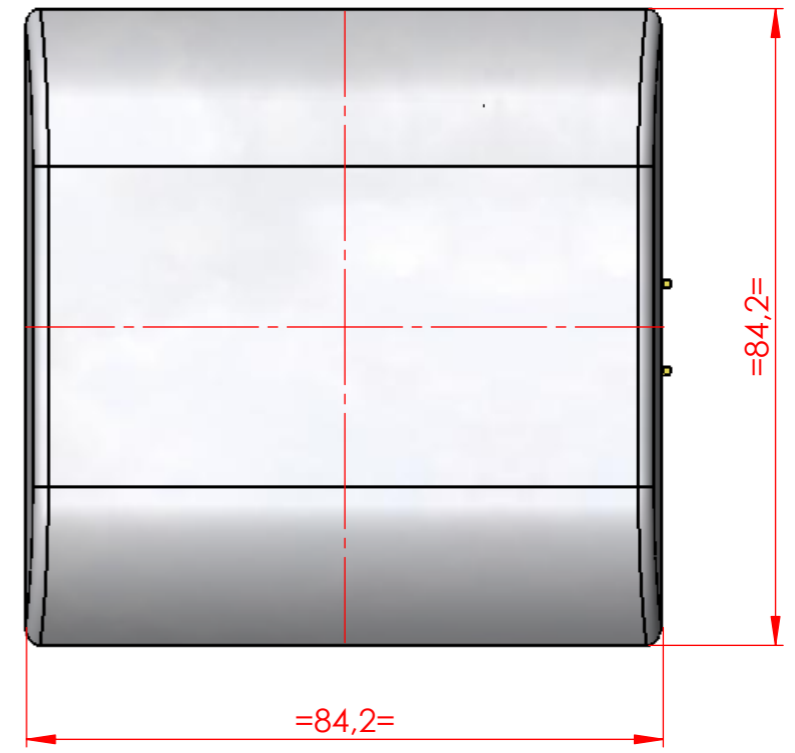
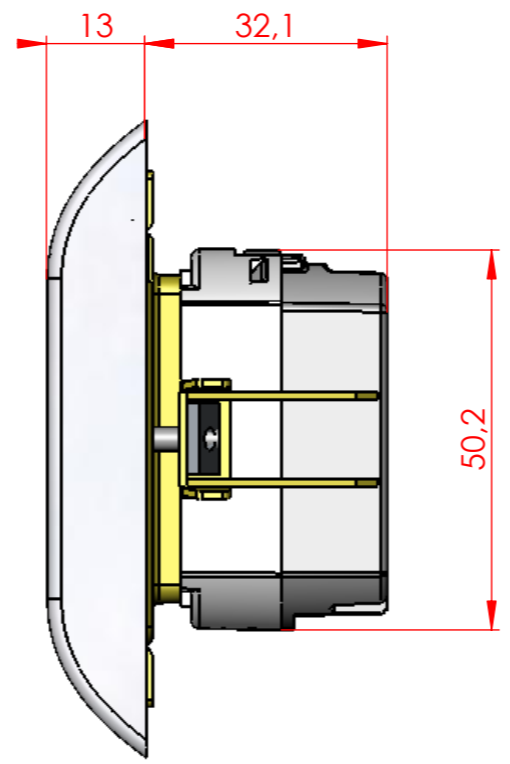
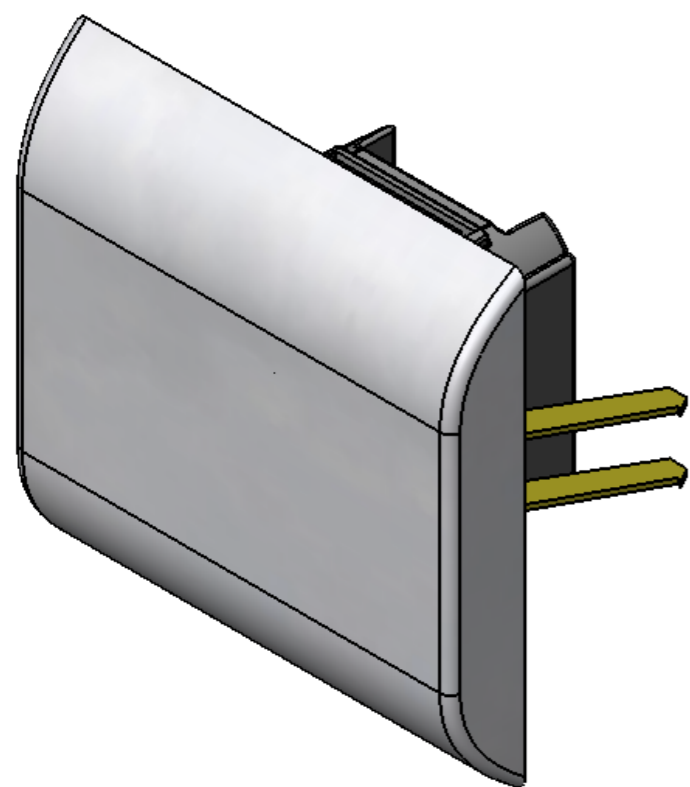


H G F E D C B A

4
3
2
1

4
3
2
1



THIS DRAWING IS THE PROPERTY OF BEA AND MAY NOT BE REPRODUCED WITHOUT WRITTEN AGREEMENT

MODIFICATIONS LIST				
DATE :	BY :	DESCRIPTION :	REL :	VER :
-	-	-	-	-
-	-	-	-	-
-	-	-	-	-
-	-	-	-	-



PROD. NAME : E095 - Improved Magic Switch	SC : 1:1	DRAWER : NBE
TITLE : Magic Switch DIM	SIZE : A3	DATE : 08/11/2006
GENERAL TOLERANCE : -		VERIFIED APPROVED
MATERIAL : -	TRETEMENT : -	
C.A.O. FILE : O:\SW\projets\E095\41_7477 - E095 Dim		
DOC.: PA	OBJET : 41.7477	VER.:1
		PAGE: 1 / 1

H G F E D C B A