

H G F E D C B A

4

3

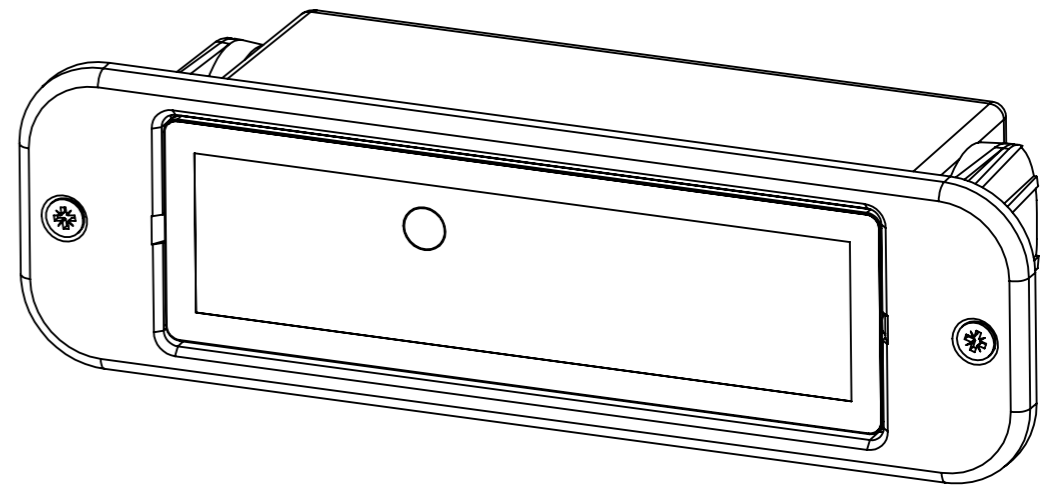
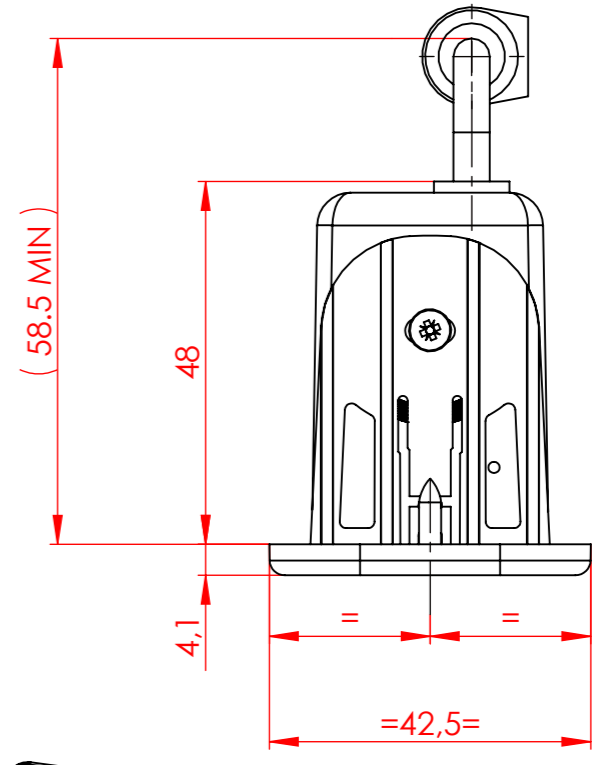
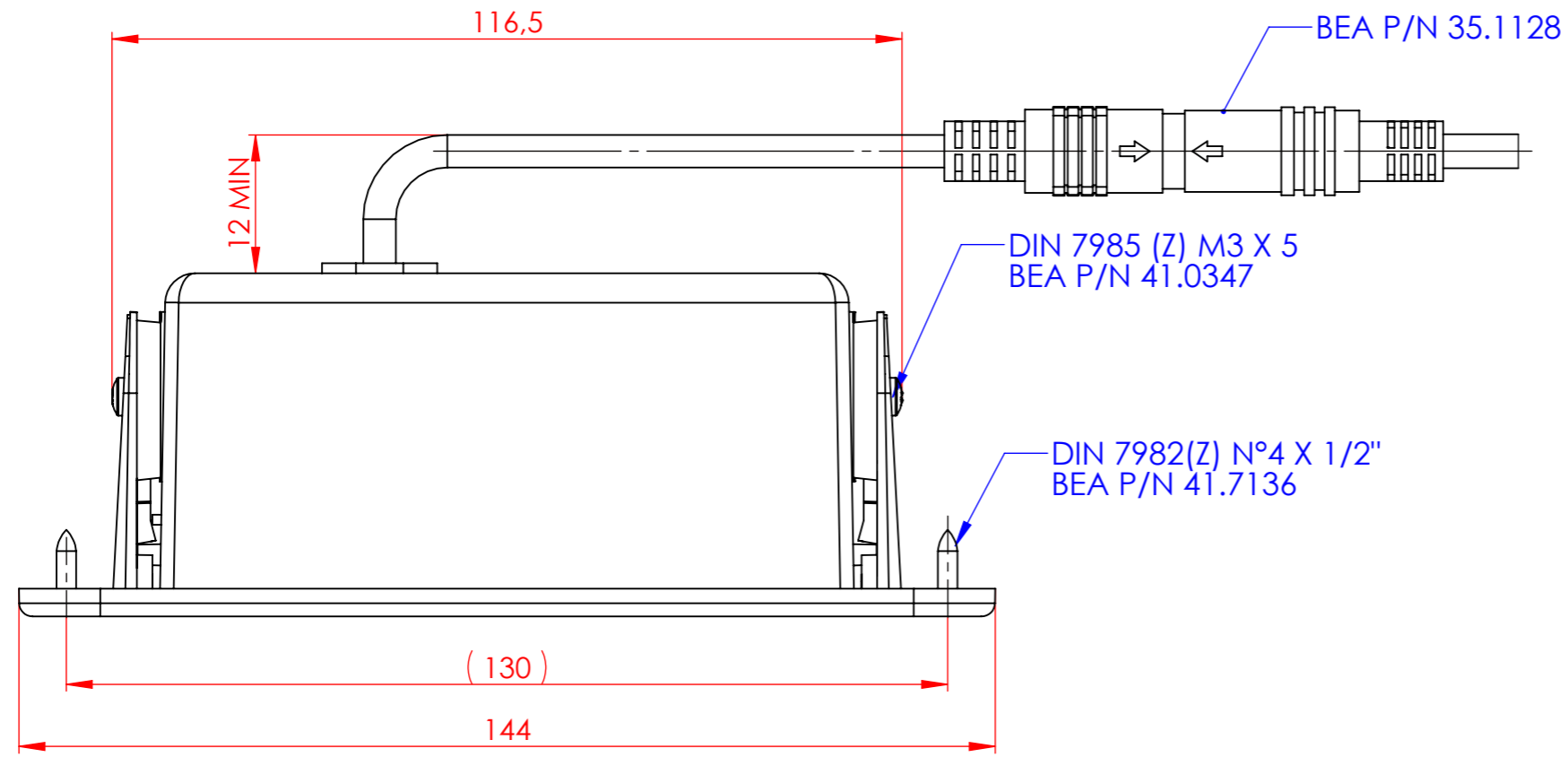
2

1

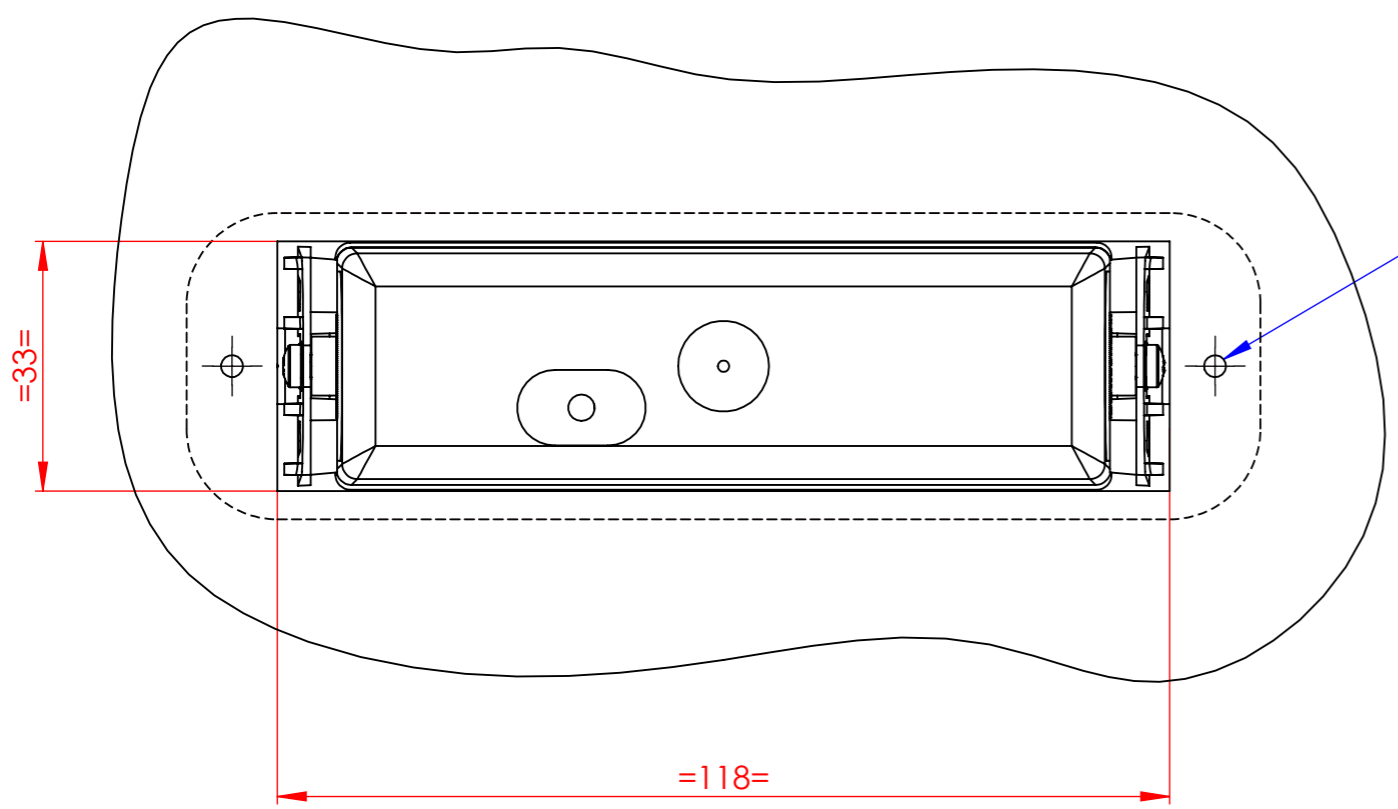
4

3


PDM Project : FINAL FOCUS - File Name : 41_7281_DIM_NA_EASY PLUG TILTED ASSY RECESSED FOCUS



Panel opening dimensions / Ouverture du panneau



Rough-Drilled Hole
Avant-Trou :
2.3 to 2.6 mm
following material and thickness
suivant matière et épaisseur

Part Volume : mm ³ - Part Weight : gr				
THIS DRAWING IS THE PROPERTY OF BEA AND MAY NOT BE REPRODUCED WITHOUT WRITTEN AGREEMENT				
MODIFICATIONS LIST				
Date :	By :	Description :	Ver :	Rev :
12/07/06	PR	UPDATE + UPDATE LOGO BEA	-	-
20/07/07	PR	UPDATE VIEW AND NOTES	-	-
26/02/08	PR	UPDATE FOLLOWING NEW FRONT FACE 41.7733	-	-
16/06/2008	PR	ADDITION OF WASHER DIN6798 TYPE A M3 FOLLOWING R&D MEETING 16/06/08	NA	05
30/06/08	PR	REMOVE WASHER DIN6798 TYPE A M3 FOLLOWING TEMPERATURE CIRCLE TEST	NA	06
 A HALMA COMPANY WWW.BEA.BE			PROD. NAME : E068 NEW FOCUS / SMART FOCUS TITLE : RECESSED FOCUS EXTERNAL DIMENSIONS GENERAL TOLERANCE : - MATERIAL : - TREATEMENT : - Objet Ver.Obj Doc. Rev.Doc. Scale Size	
			DRAWER : PR DATE : 12/01/2006 VERIFIED APPROVED	
41.7281 . NA . PA . 06 1:1			PAGE: 1 / 1	

H G F E D C B A