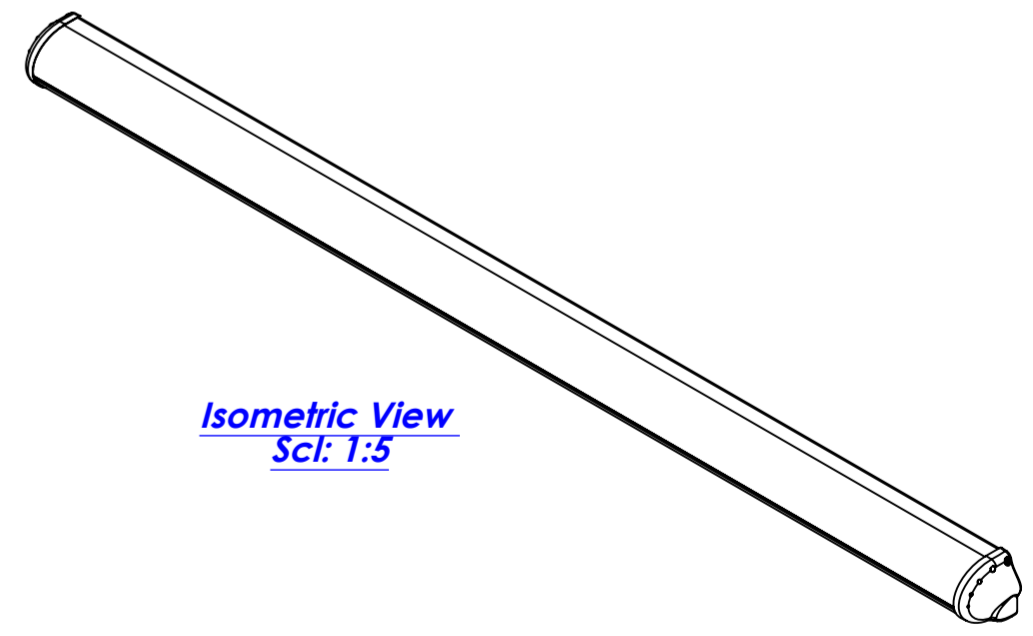


3x Cable entry holes $\phi 10$

3x holes $\phi 6$ for screws
DIN7981 N°8 x 1/2

VUE A



Isometric View
Sci: 1:5

Part Volume : mm³ - Part Weight : gr

THIS DRAWING IS THE PROPERTY OF BEA AND MAY NOT BE REPRODUCED WITHOUT WRITTEN AGREEMENT

MODIFICATIONS LIST					
Date :	By :	Description :	Ver :	Rev :	
-	-	-	-	-	-
-	-	-	-	-	-
-	-	-	-	-	-
-	-	-	-	-	-

BEA A HALMA COMPANY www.bea.be		PROD. NAME : 4 Safe TITLE : Dim 900 mm GENERAL TOLERANCE : - MATERIAL : - TREATMENT : -	DRAWER : NBE DATE : 20/09/2012 VERIFIED APPROVED				
Objet	Ver.Obj	Doc.	Rev.Doc.	Scale	Size		PAGE: 1 / 1
41.8617.01	.PA	.01	1:1	A2			

PDM Project : E028 - 4Safe - File Name : 41.8617 - 4Safe DIM 900mm