

MAGIC SWITCH CHROMA

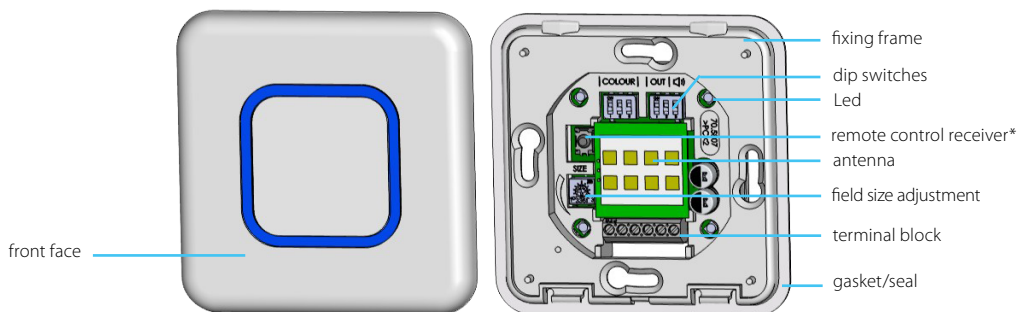
EN



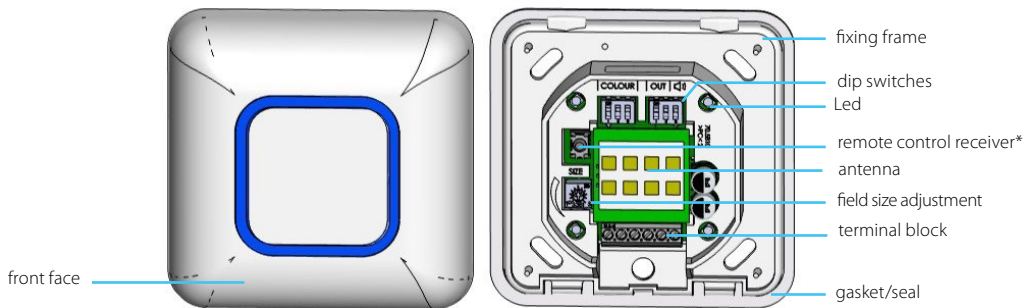
CONTACTLESS KNOWING ACT SENSOR FOR AUTOMATIC DOORS

DESCRIPTION

RECESSED INSTALLATION



SURFACE INSTALLATION



* only available in the advanced version

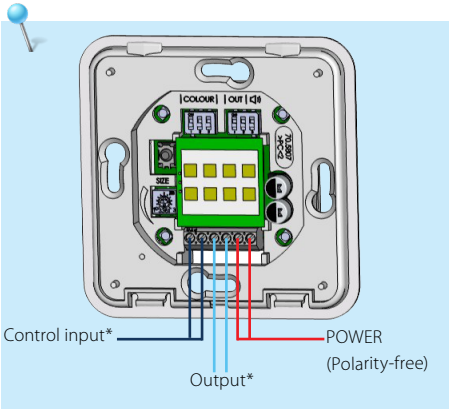
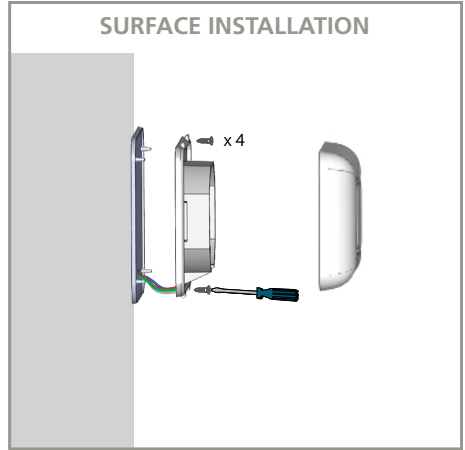
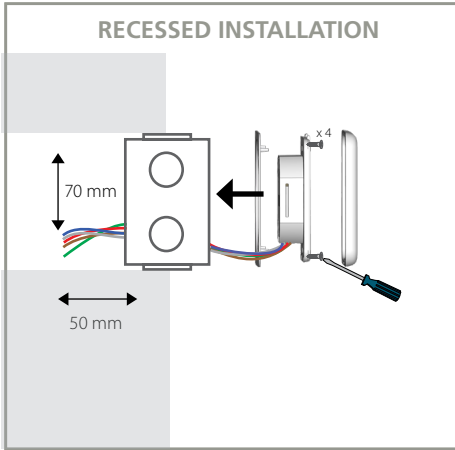
STANDARD VERSION

- Antimicrobial front face
- Multicoloured LED-feedback
- IP65
- Toggle-function

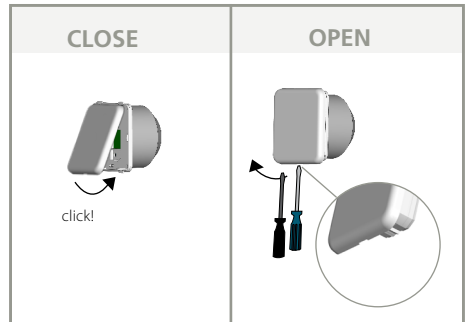
ADVANCED VERSION

- Antimicrobial front face
- Multicoloured LED-feedback
- IP65
- Toggle-function
- Audible feedback
- Remote control adjustments (see remote control settings annex)
- Application-focused settings through external signal input

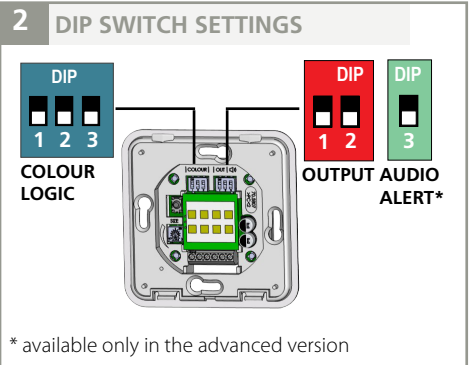
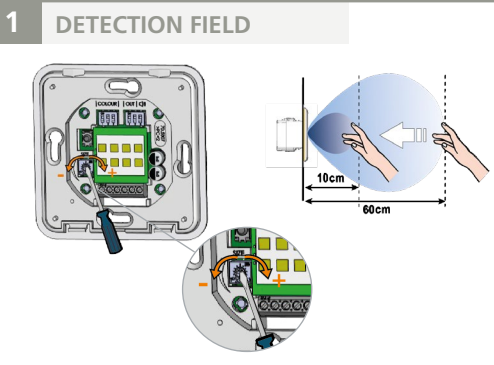
INSTALLATION



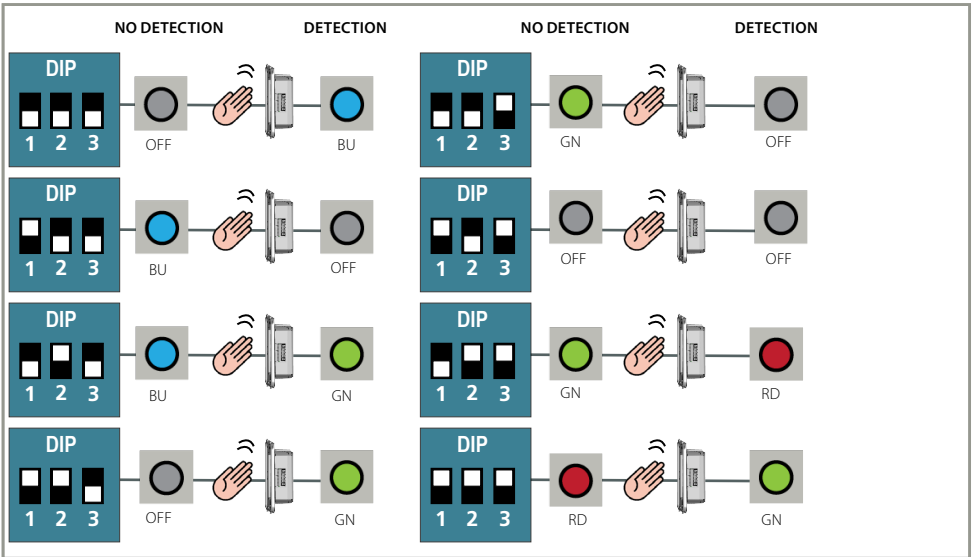
* See page 3



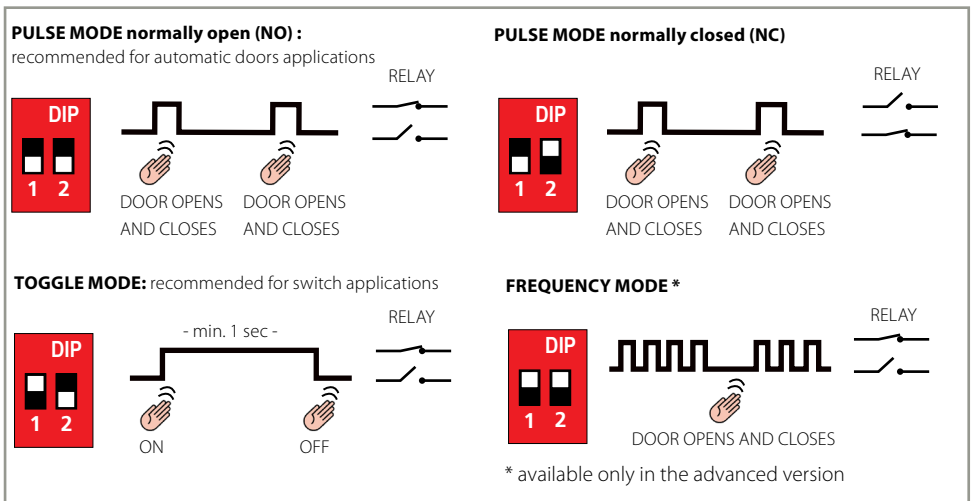
ADJUSTMENTS



COLOUR LOGIC

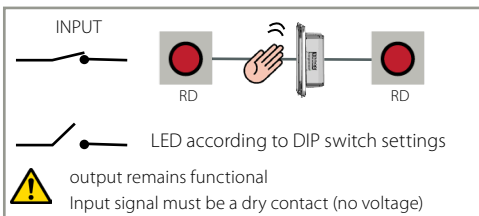


OUTPUT MODE

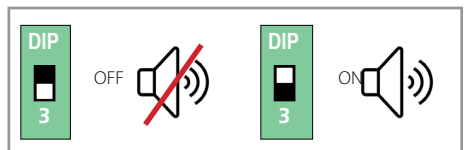


CONTROL INPUT*

Connect the input to an external signal to force the LED colour as defined.



AUDIO ALERT*



* available only in the advanced version

TROUBLESHOOTING

Door does not open even when moving the hand towards the sensor.	Bad or no power supply.	Check power supply. <i>If LED switches on or flashes, power connection is OK.</i>
	Detection range is too short.	Adjust the detection range. Remove any metal plates in front of the sensor.
	Incorrect wiring / connection.	Check wiring and relay connection.
Sensor stays in detection.	The environment influences the good functioning of the sensor.	Remove any moving object around the sensor.
	Incorrect wiring / connection.	Check wiring and relay connection.
Door remains open after detection/activation.	Wrong output mode.	Switch the output mode to PULSE.
	Incorrect wiring / connection.	Check wiring and relay connection.

TECHNICAL SPECIFICATIONS

Technology	Microwave motion sensor
Radiated frequency	24.150 GHz
Radiated power	< 20 dBm EIRP
Radiated power density	< 5mW/cm ²
Detection range (hand)	+/- 10 to 60 cm if movement towards sensor at 90° (adjustable)*
Detection mode	Motion (bidirectional)
Speed of target to create detection	Min. 5Hz or +/- 3cm/s, Max. 200Hz or +/- 1.2m/s
Supply voltage The Equipment must be powered by an approved Class II SELV limited power source. This requirement consists of the need for double insulation between primary voltages and the Equipment supply. The supply current should be limited to 1.5 A	12 - 24V AC +/- 10% 12 - 24V DC +30% / - 10%
Mains frequency	50 - 60 Hz
Power consumption	< 1.5W
Output Max. voltage Max. current	Electronic relay (galvanic isolation - polarity free) 42V AC/DC 100 mA
Output hold time	0.5s (in PULSE mode)
Temperature range	-20°C to +55°C
Degree of protection	IP65 with front face and gasket mounted on a smooth surface
Material	PMMA / PC Front face is treated with biomaster silver biocide tested to ISO 22196:2011. Please use biocides responsibly.
Recommended wiring cable	Stranded cable up to 16 AWG - 1.5mm ²

* An adjustment of the detection field below 10 cm is possible but the detection capability of the sensor can not be guaranteed.

Technical specifications are subject to changes

BEA SA | LIEGE Science Park | ALLÉE DES NOISETIERS 5 - 4031 ANGLEUR [BELGIUM] | T +32 4 361 65 65 | F +32 4 361 28 58 | INFO@BEA.BE | WWW.BEASENSORS.COM



BEA hereby declares that the Magic Switch is in compliance with European Directives 2014/53/EU (RED) and 2011/65/EU (RoHS). The full text of the EU declaration of conformity is available on our website.

This product should be disposed of separately from unsorted municipal waste

