



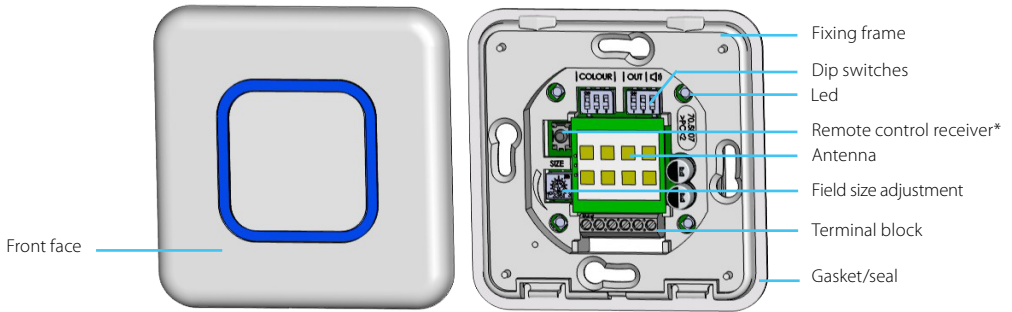
MAGIC SWITCH CHROMA

CONTACTLESS KNOWING ACT SENSOR FOR AUTOMATIC DOORS

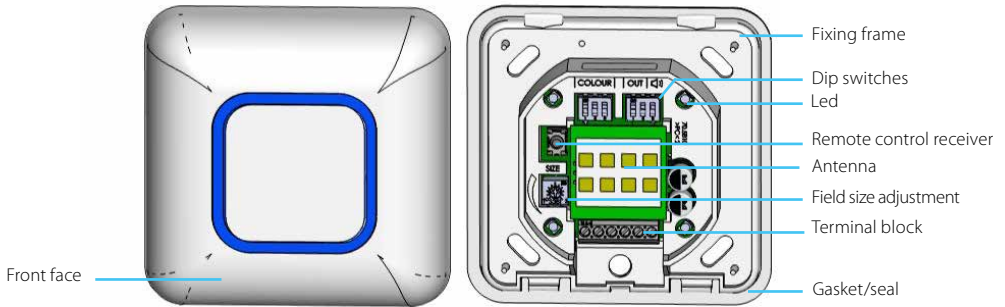
EN

DESCRIPTION

RECESSED INSTALLATION



SURFACE INSTALLATION



** only available in the advanced version.*

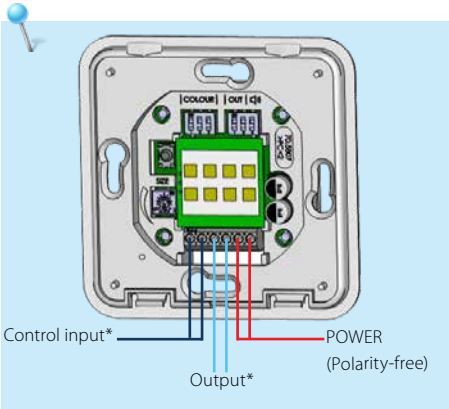
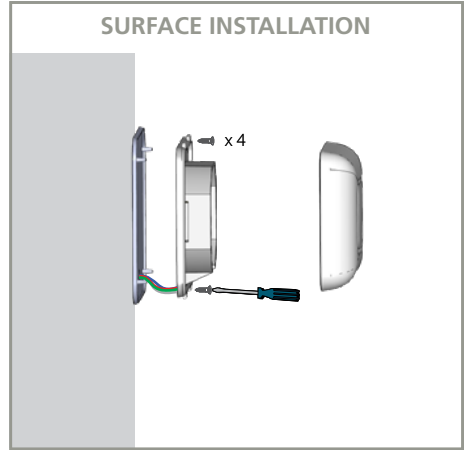
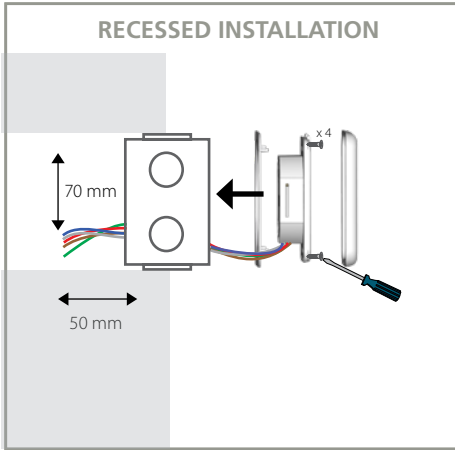
STANDARD VERSION

- Antimicrobial front face
- Multicoloured LED-feedback
- IP65
- Toggle-function

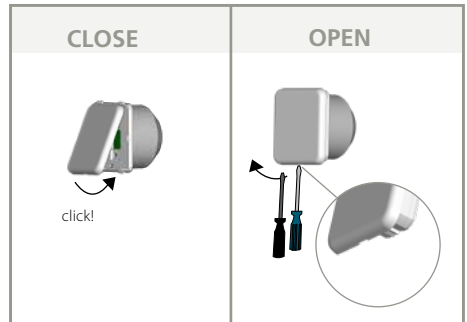
ADVANCED VERSION

- Antimicrobial front face
- Multicoloured LED-feedback
- IP65
- Toggle-function
- Audible feedback
- Remote control adjustments (see remote control settings annex)
- Application-focused settings through external signal input

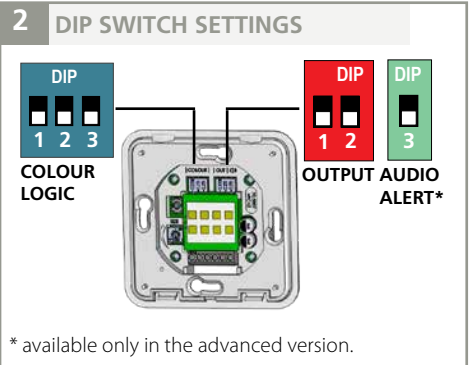
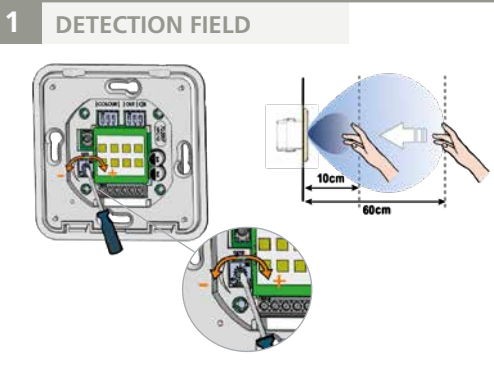
INSTALLATION



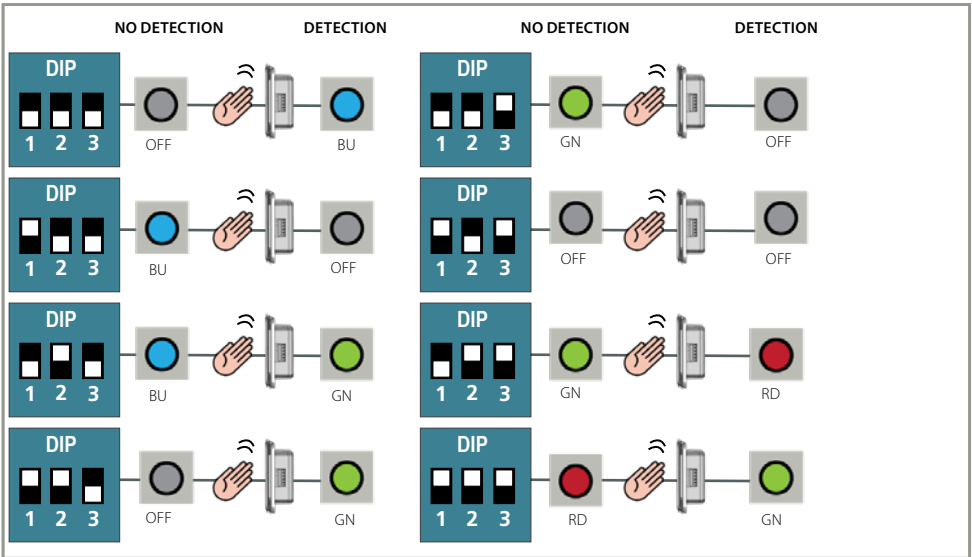
* See page 3



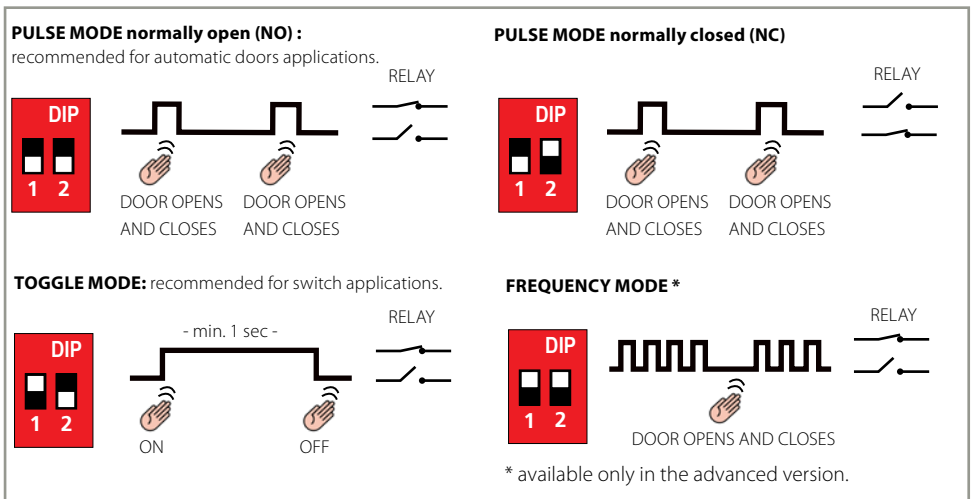
ADJUSTMENTS



COLOUR LOGIC

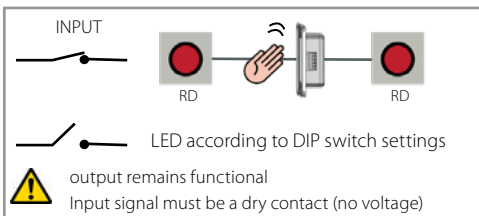


OUTPUT MODE

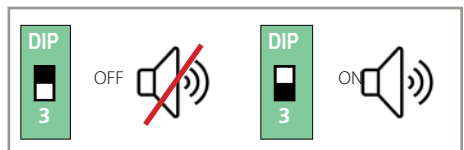


CONTROL INPUT*

Connect the input to an external signal to force the LED colour as defined.



AUDIO ALERT*



* available only in the advanced version.

TROUBLESHOOTING

Door does not open even when moving the hand towards the sensor.	Bad or no power supply.	Check power supply. <i>If LED switches on or flashes, power connection is OK.</i>
	Detection range is too short.	Adjust the detection range. Remove any metal plates in front of the sensor.
	Incorrect wiring / connection.	Check wiring and relay connection.
Sensor stays in detection.	The environment influences the good functioning of the sensor.	Remove any moving object around the sensor.
	Incorrect wiring / connection.	Check wiring and relay connection.
Door remains open after detection/activation.	Wrong output mode.	Switch the output mode to PULSE.
	Incorrect wiring / connection.	Check wiring and relay connection.

TECHNICAL SPECIFICATIONS

Technology	Microwave motion sensor
Radiated frequency	24.150 GHz
Radiated power	< 20 dBm EIRP
Radiated power density	< 5mW/cm ²
Detection range (hand)	+/- 10 to 60 cm if movement towards sensor at 90° (adjustable)*
Detection mode	Motion (bidirectional)
Speed of target to create detection	Min. 5Hz or +/- 3cm/s, Max. 200Hz or +/- 1.2m/s
Supply voltage**	12 - 24V AC +/- 10% (50 - 60 Hz) 12 - 24V DC +30% / - 10%
Power consumption	< 1.5W
Output** Max. voltage Max. current	Electronic relay (galvanic isolation - polarity free) 42V DC / 30V AC 100 mA
Output hold time	0.5s (in PULSE mode)
Temperature range	-20°C to +55°C
Degree of protection	IP65 with front face and gasket mounted on a smooth surface
Material	PMMA / PC Front face is treated with biomaster silver biocide tested to ISO 22196:2011. Please use biocides responsibly.
Wiring cable	Stranded cable up to 16 AWG - 1.5mm ²

* An adjustment of the detection field below 10 cm is possible but the detection capability of the sensor can not be guaranteed.

** External electrical sources must be within specified voltages, max 15W and ensure double insulation from primary voltages.

Technical specifications are subject to changes.

BEA SA | LIEGE Science Park | ALLÉE DES NOISETIERS 5 - 4031 ANGLEUR (BELGIUM) | T +32 4 361 65 65 | F +32 4 361 28 58 | INFO@BEA.BE | WWW.BEASENSORS.COM



BEA hereby declares that the MAGIC SWITCH CHROMA is in compliance with European Directives 2014/53/EU (RED) and 2011/65/EU (RoHS).

The full text of the EU declaration of conformity is available on our website.
This product should be disposed of separately from unsorted municipal waste.

